

# Heirloom Entertainment Pier with Door

Style # 760-540 (Medium Brown) DPCI # 074-05-0511

## Assembly Instructions



**CONGRATULATIONS** - You've purchased a fine furniture item from

We have designed our furniture with you, the Target guest in mind. Our clear, easy to follow, step by step instructions will guide you through the project from start to finish. Feel confident that this will be a fun and rewarding project. The final product will be a quality piece of furniture that will go together smoothly and give years of enjoyment.

All you need is a standard screwdriver, phillips screwdriver and a hammer.

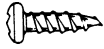
If you have questions, just call 1-800-782-3876 or e-mail [CISupport@Thomasville.com](mailto:CISupport@Thomasville.com) between 8:00a.m. - 9:00p.m., Monday - Friday and 9:00a.m. - 5:00p.m., Saturday (Eastern Time) for parts and services. Please refer to the DPCI code when calling.



**WARNING...**This unit is to be used for its intended purpose. Other uses may cause product to tip.

- \* Do not allow anyone to climb on unit.
- \* Put heavy items on lower shelves.

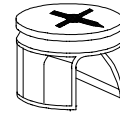
Screws are shown actual size. Hardware may be shown smaller than actual size.  
Note: For reasons of manufacturing efficiencies, you may find extra hardware and unused holes in parts.



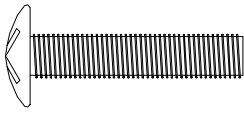
S2 1/2" Phillips-head Screw (36)  
003239



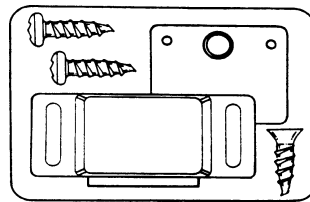
Touch Up Pen (1)  
002763



CH Cam Housing (18)  
009613



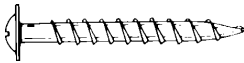
1-1/4" Hardware Bolt (1)  
80112378



Magnetic Catch Set (1)  
MC Magnetic Catch,  
SP Strike Plate  
Screws  
008075



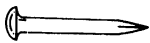
CS Cam Stud (18)  
009612



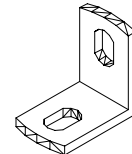
1-1/8" Round Washer-Head Screw (2)  
004518



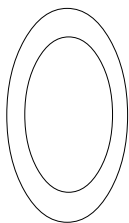
Cover-cap (12)  
80112382



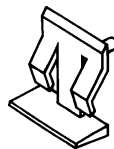
Nail (42)  
002669



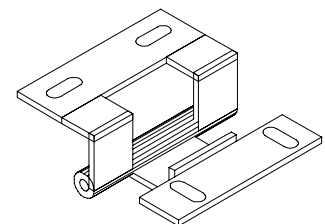
LB L-Bracket (14)  
80112822



Knob (1)  
80112327

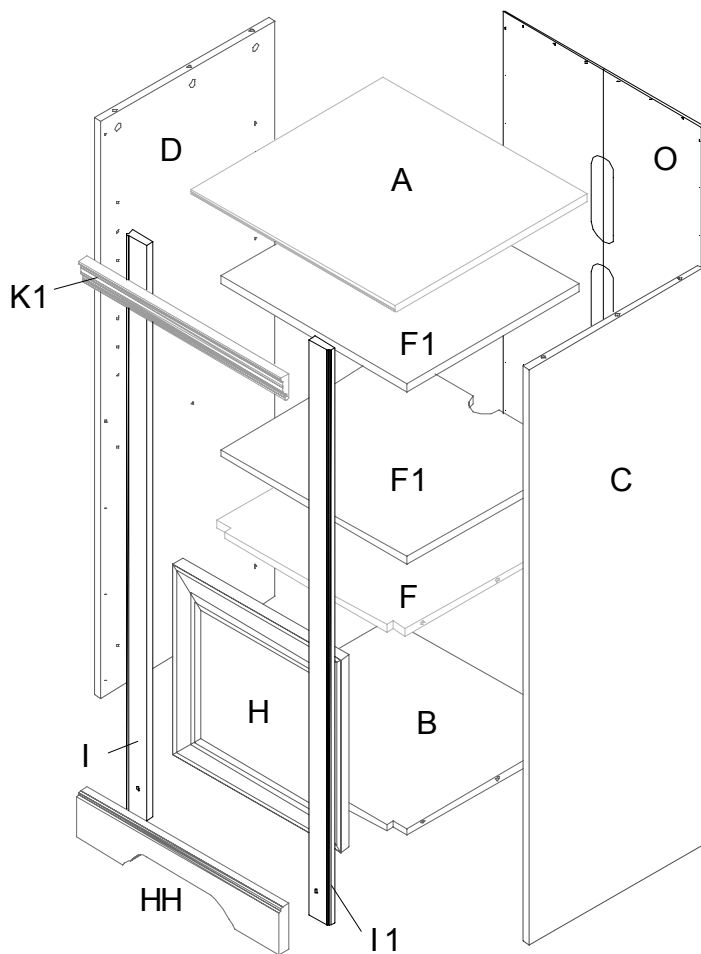


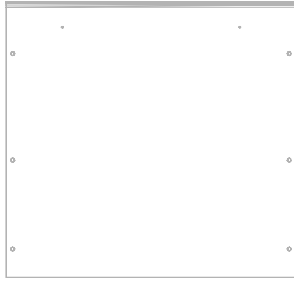
LPN Locking Shelf Pins (8)  
004053



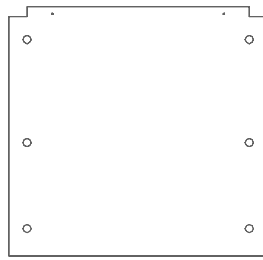
HG Hinge (2)  
80112865

**Note:** All parts may not be identified with labels, but to help identify certain parts, you may see one or more types of labelling. One type is the peel-off label and the other is an ink-print on one of the unfinished edges.

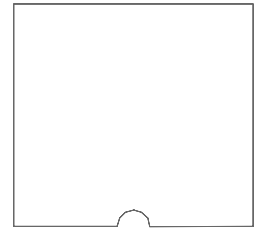




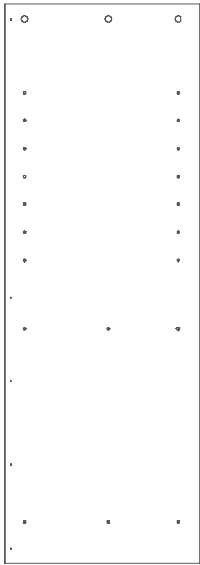
**A Top (1)**  
 20-9/16" x 19-1/2"  
 011947B



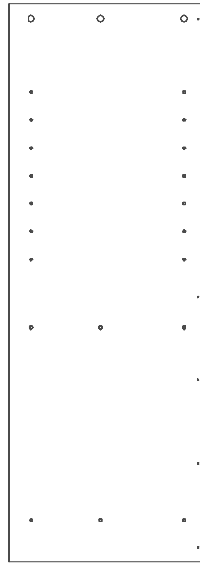
**B Bottom (1)**  
 19" x 18-1/4"  
 021804B



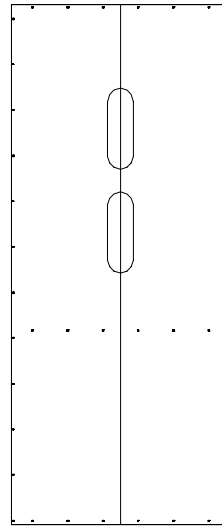
**F1 Adjustable Shelf (2)**  
 18-13/16" x 16-3/4"  
 061842B



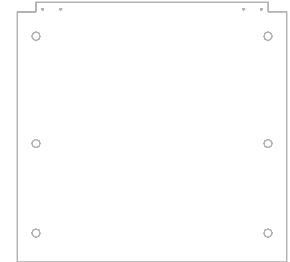
**D Left Side (1)**  
 50-3/8" x 17-5/8"  
 045001B



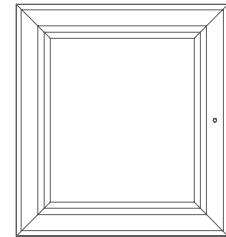
**C Right Side (1)**  
 50-3/8" x 17-5/8"  
 035001B



**O Back Panel (1)**  
 47-1/2" x 20-1/16"  
 80112551



**F Shelf (1)**  
 19" x 18-1/4"  
 061841B



**H Door (1)**  
 16-7/8" x 16-3/4"  
 80112866



**I Left Vertical Rail (1)**  
 50-1/4" x 2"  
 80112869



**I 1 Right Vertical Rail (1)**  
 50-1/4" x 2"  
 80112867



**K1 Top Front Molding (1)**  
 20-7/16" x 2-1/8"  
 80112552



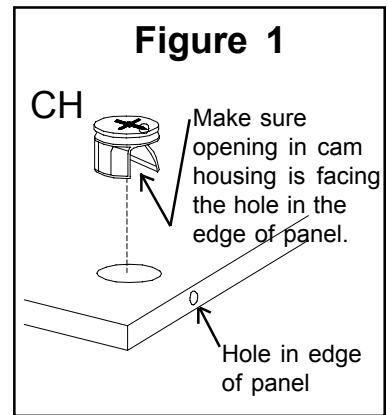
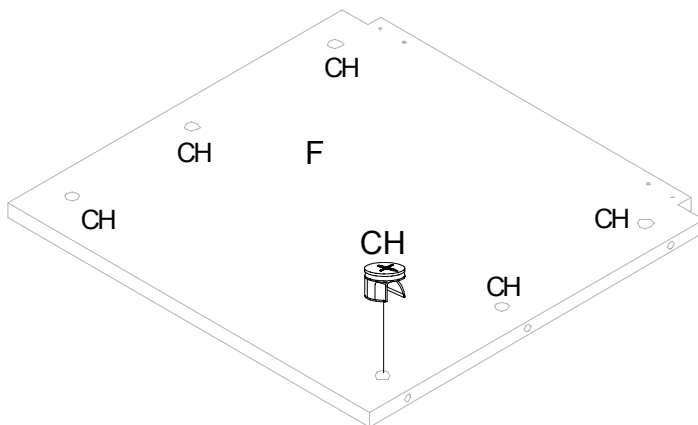
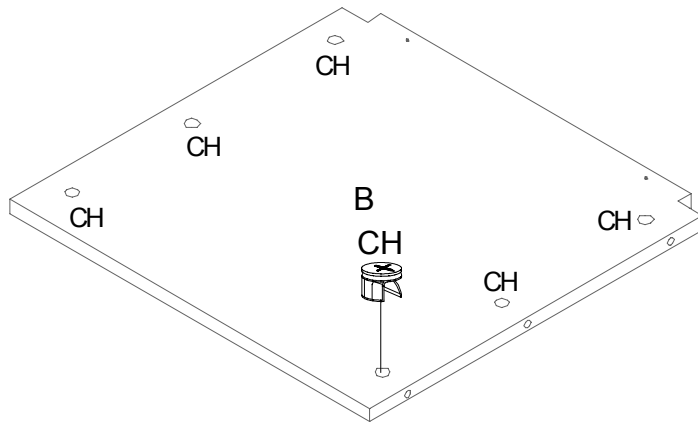
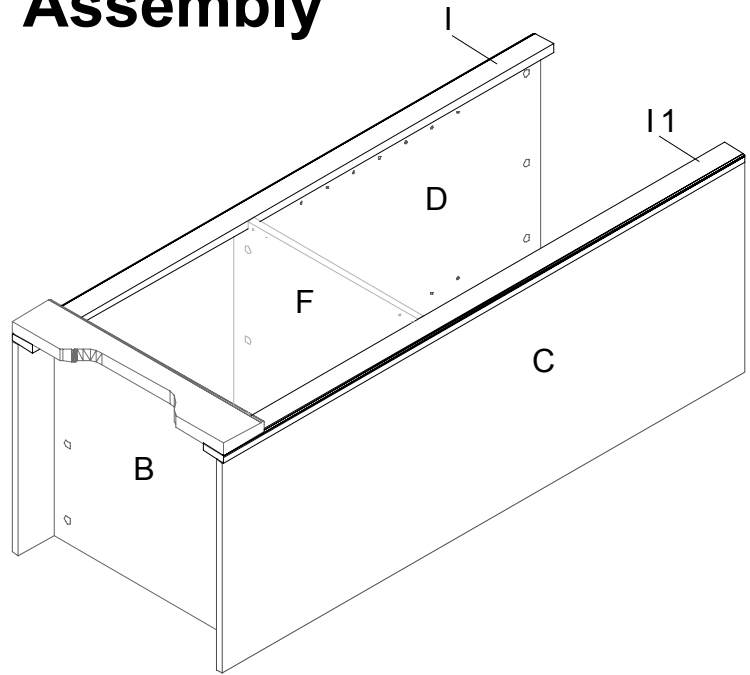
**HH Bottom Front Molding (1)**  
 20-7/16" x 4"  
 80112554

# 1

## Case Assembly



(12) Cam Housings (CH)



### Action Required:

\* **SEE FIGURE 1**...Insert (12) cam housings (CH) into the holes, as shown, in bottom (B) and shelf (F).

# 2



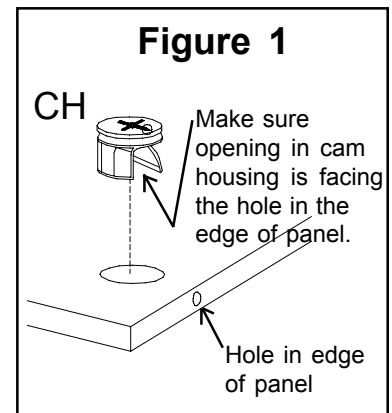
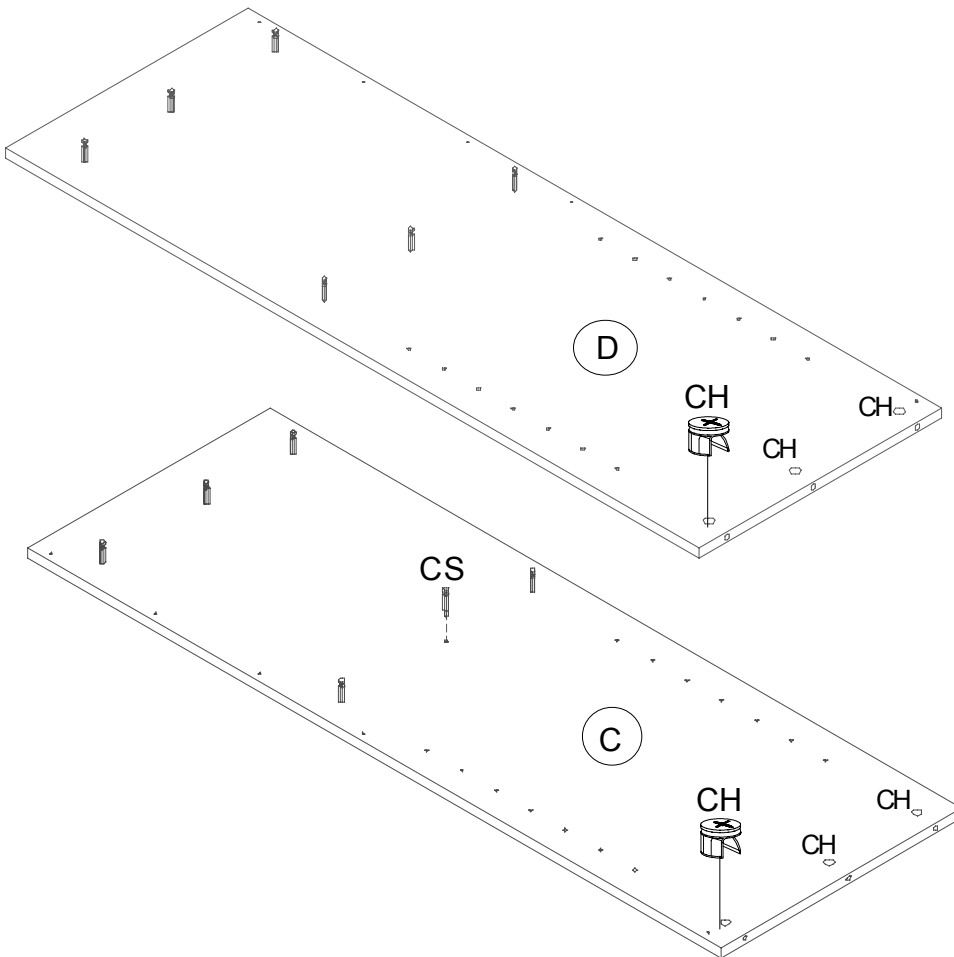
(6) Cam Housings (CH)



(12) Cam Studs (CS)



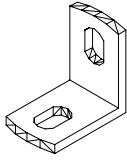
Phillips-Head Screwdriver



### Action Required:

- \* **SEE FIGURE 1**...Insert (6) cam housings (CH) into the holes, as shown, in left and right sides (D & C).
- \* Screw (12) cam studs (CS) into the holes, as shown, in sides (D & C).

**3**



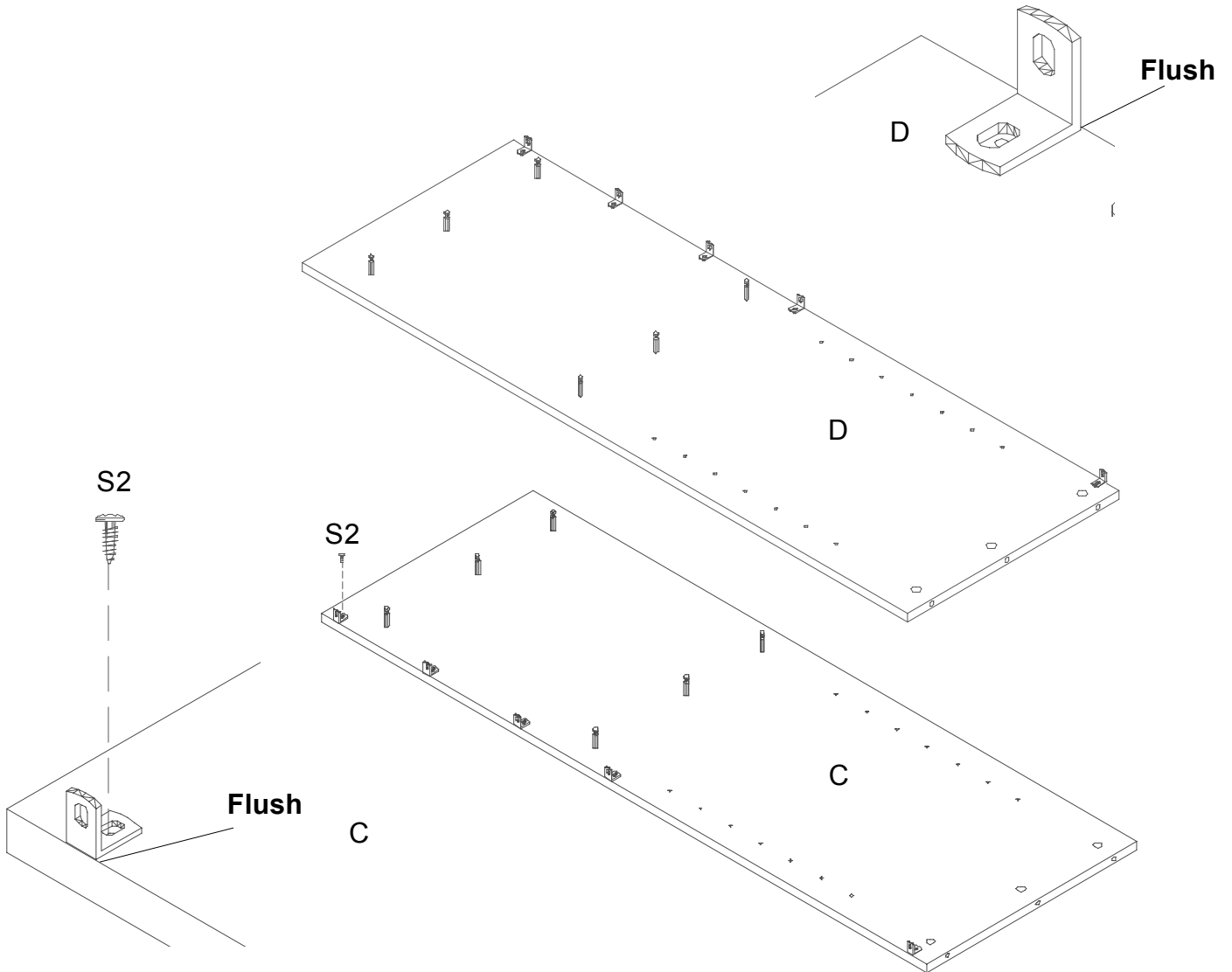
(10) L-Brackets (LB)



(10) 1/2" Phillips-head  
Screw (S2)



Phillips-Head Screwdriver



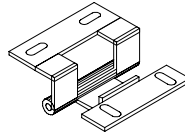
**Action Required:**

\* Attach (10) L-Brackets (LB) to left and right sides (D & C), as shown, using (10) screws (S2).

4



(4) 1/2" Phillips-Head Screws (S2)



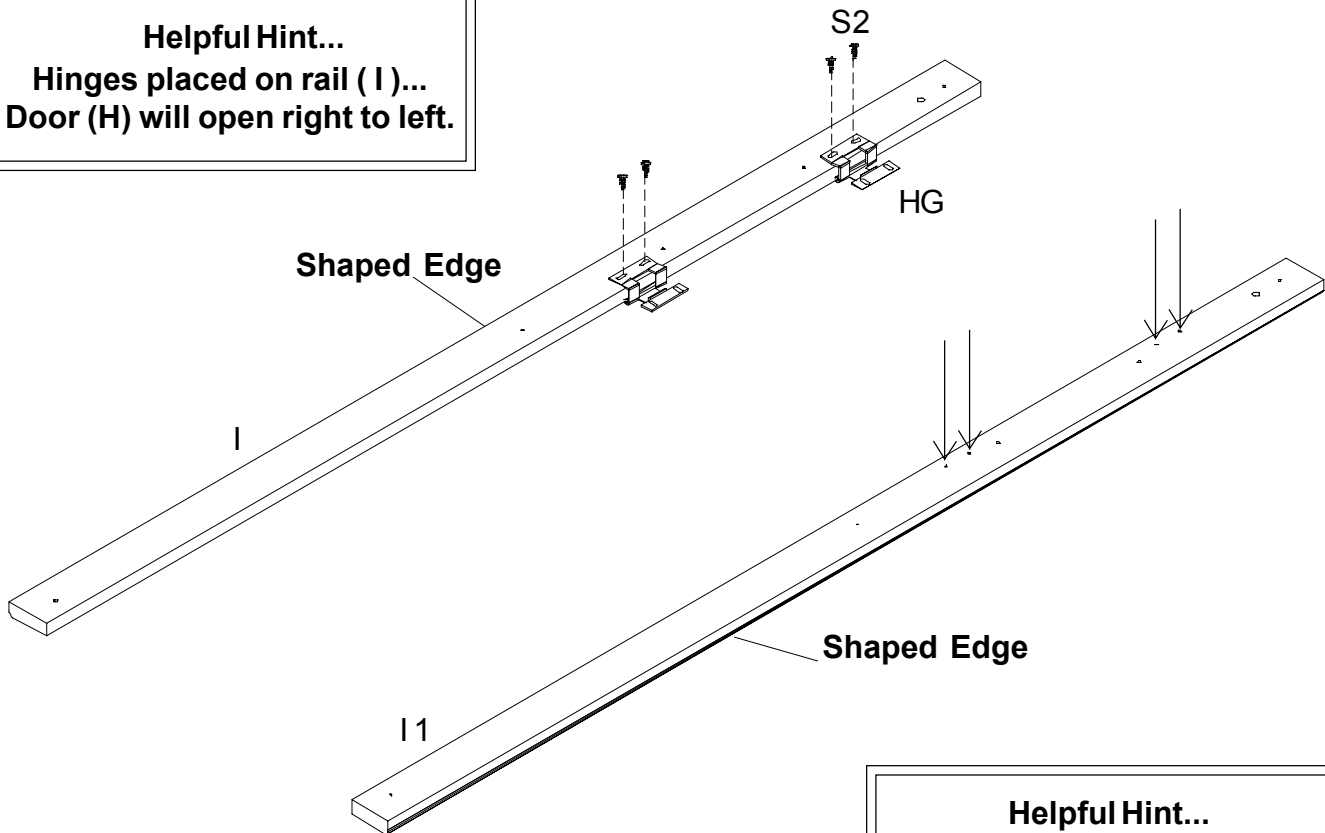
(2) Hinges (HG)



Phillips-Head Screwdriver

**IMPORTANT...**  
Door (H) may be hung to open right to left or left to right.

**Helpful Hint...**  
Hinges placed on rail ( I )...  
Door (H) will open right to left.



**Helpful Hint...**  
Hinges placed on rail ( I 1 )...  
Door (H) will open left to right.

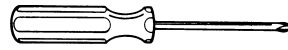
**Action Required:**

- \* Place left and right vertical rails ( I & I 1 ) with shaped edges, as shown.
- \* **SEE HELPFUL HINT...** attach (2) hinges to left **or** right vertical rail, using (4) screws (S2). Diagram shown with hinges attached to rail ( I ). If attaching hinges to rail ( I 1 ), use holes marked with arrows.

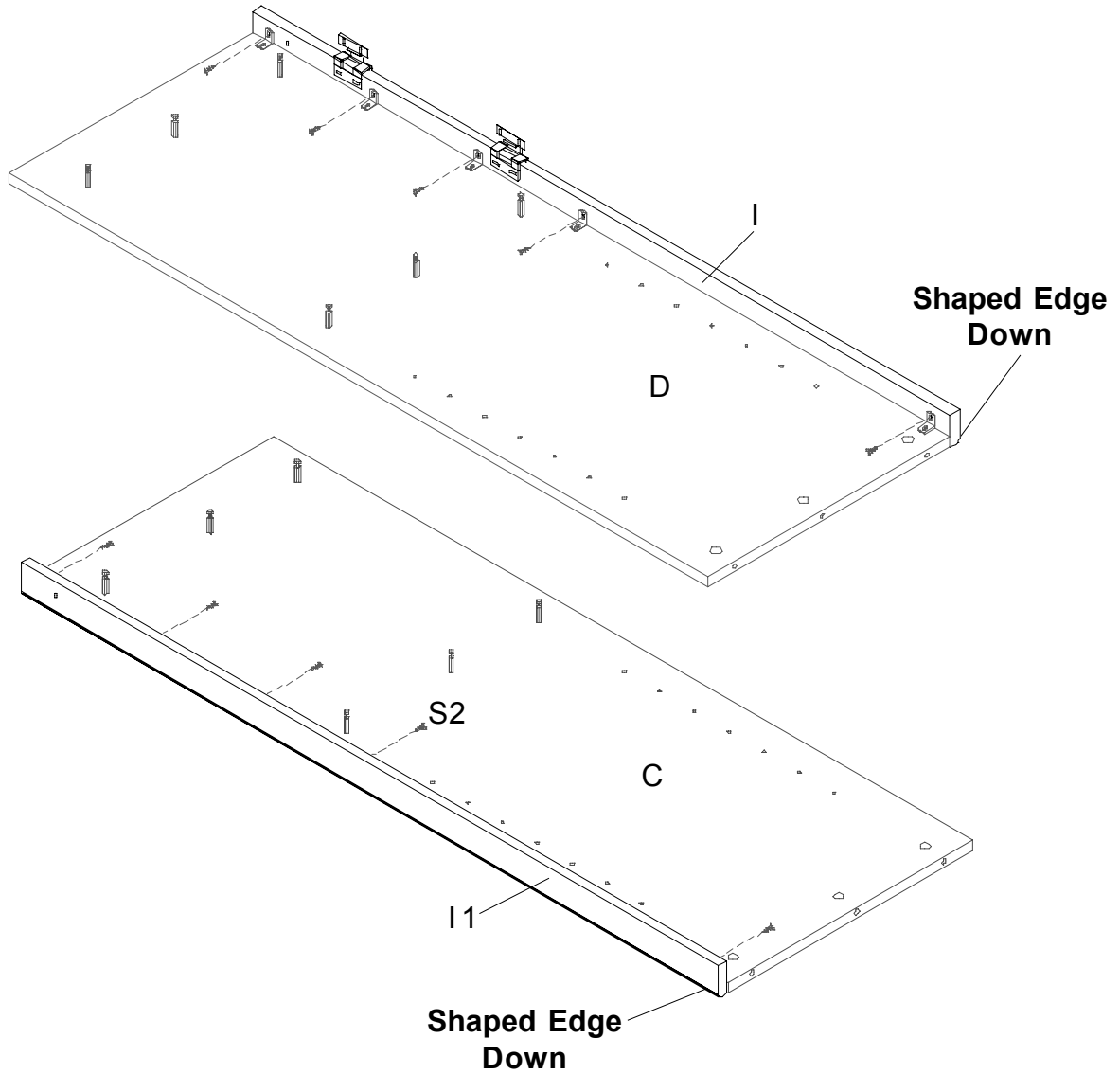
5



(10) 1/2" Phillips-Head Screws (S2)



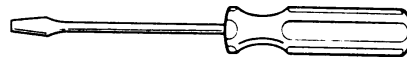
Phillips-Head Screwdriver



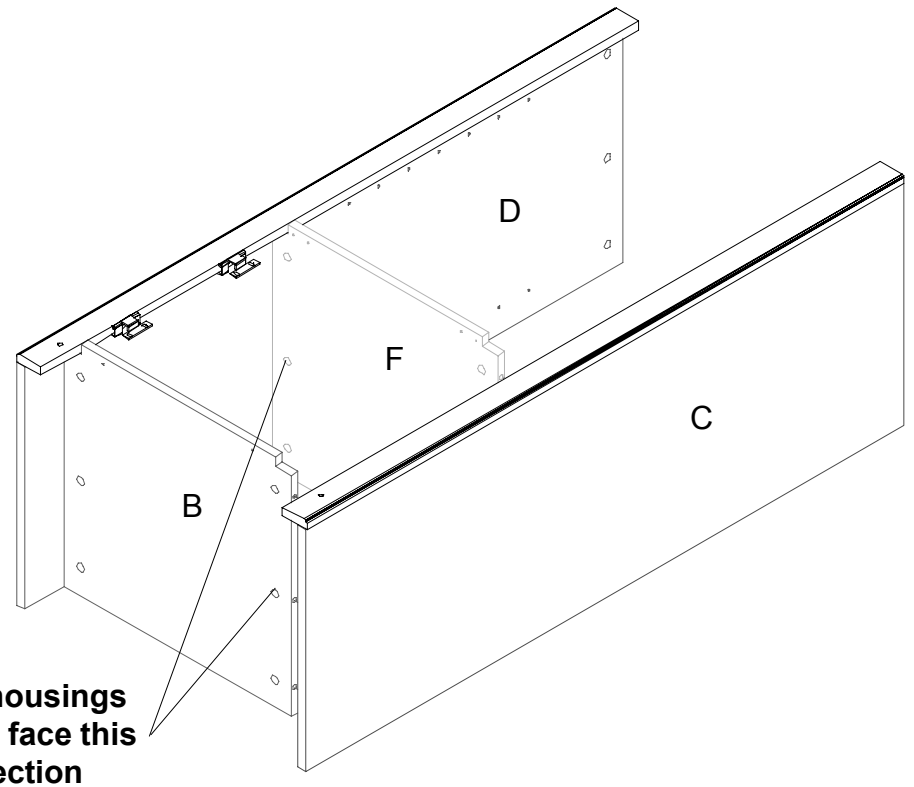
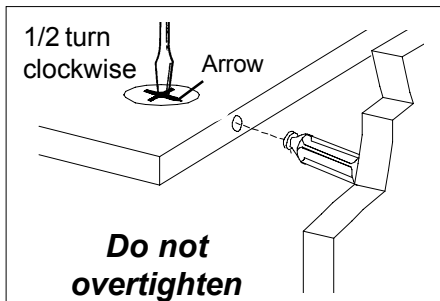
**Action Required:**

- \* Attach left vertical rail ( I ) to left side (D), **shaped edge down**, using (5) screws (S2) in each L-Bracket.
- \* Attach right vertical rail ( I 1 ) to right side (C), **shaped edge down**, using (5) screws (S2) in each L-Bracket.

**6**



Standard Flat-Head Screwdriver



**Action Required:**

- \* With a helper, attach shelf (F) and bottom (B) to left side (D).
- \* Lock cam housings with a half-turn clockwise of a standard flat-head screwdriver.
- \* Attach right side (C) to shelf (F) and bottom (B).
- \* Lock cam housings.

# 7

## Top Assembly



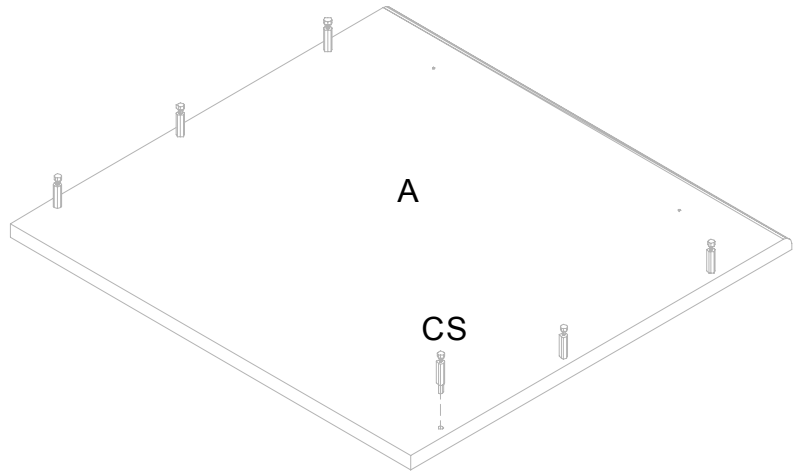
(6) Cam Studs (CS)



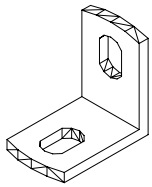
Phillips-Head Screwdriver

### Action Required:

- \* Screw (6) cam studs (CS) into the holes, as shown, in top (A).



# 8



(2) L-Brackets (LB)



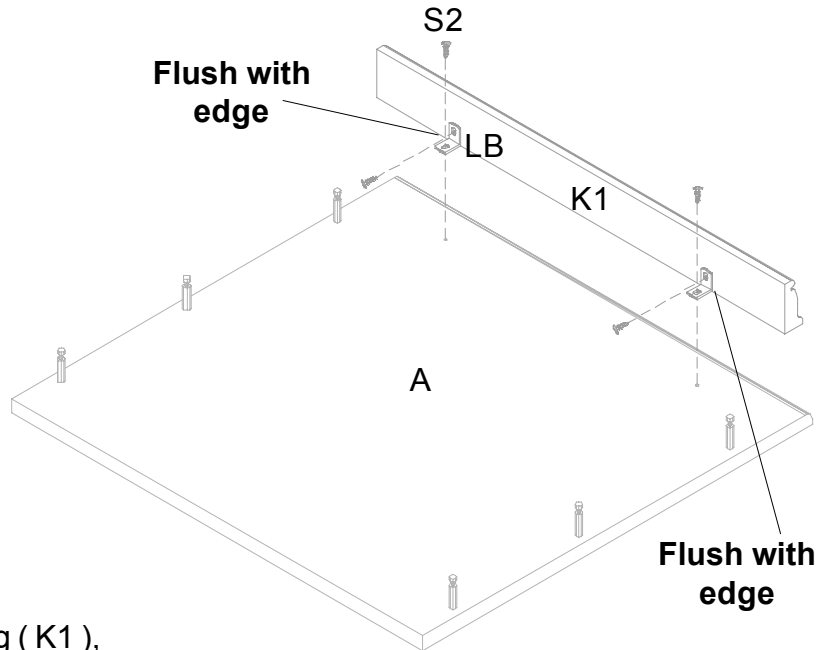
(4) 1/2" Phillips-Head Screws (S2)



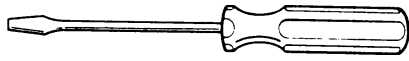
Phillips-Head Screwdriver

### Action Required:

- \* Attach (2) L-Brackets (LB) to top front molding ( K1 ), using (2) screws (S2).
- \* **Loosely**, attach top front molding ( K1 ) to top (A), using (2) screws (S2).



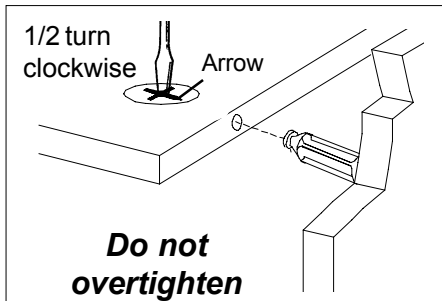
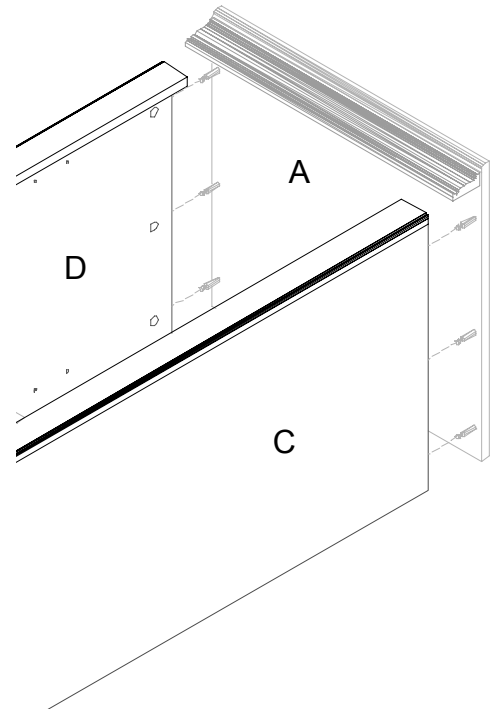
# 9



Standard Flat-Head Screwdriver

### Action Required:

- \* Attach top (A) to left and right sides (D & C), as shown.
- \* Lock cam housings.



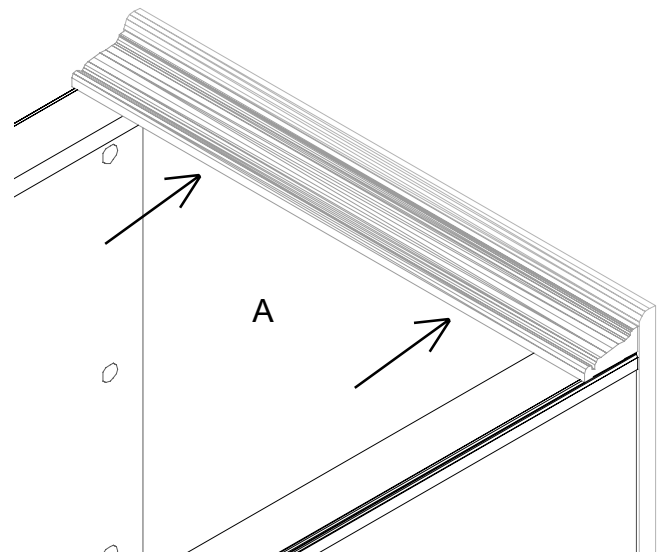
# 10



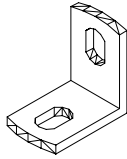
Phillips-Head Screwdriver

### Action Required:

- \* Tighten screws in L-Brackets in top (A) marked with arrows.



# 11



(2) L-Brackets (LB)



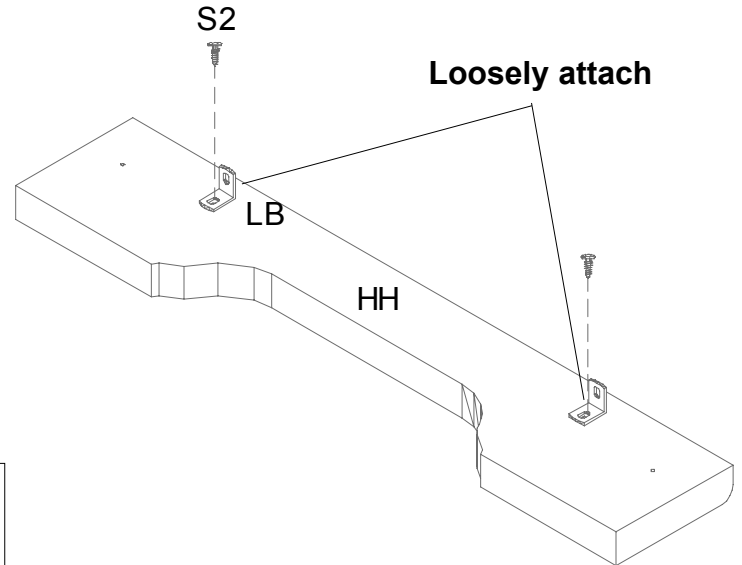
(2) 1/2" Phillips-head Screw (S2)



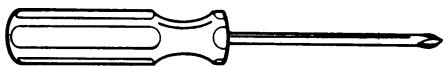
Phillips-Head Screwdriver

### Action Required:

- \* **Loosely**, attach (2) L-Brackets (LB) to bottom front molding (HH), using (2) screws (S2).



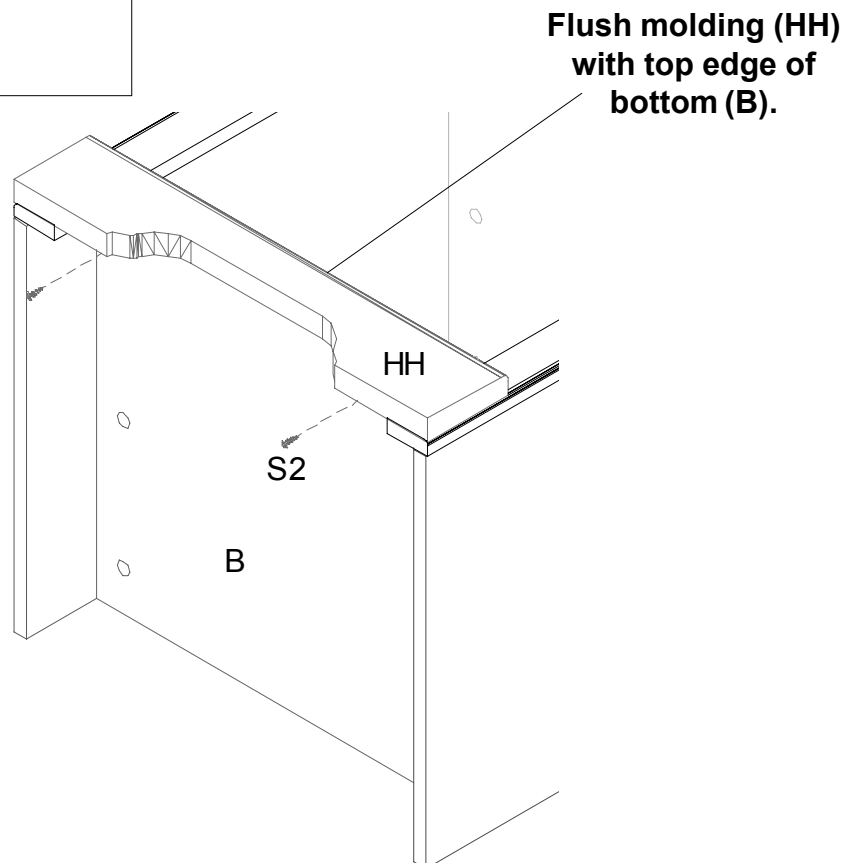
# 12



Phillips-Head Screwdriver

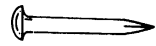
### Action Required:

- \* Attach bottom front molding (HH), **even side to side**, to unit using (2) screws (S2).

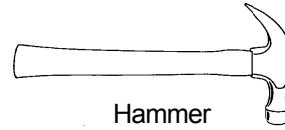


Note: Make sure all cam housings are in the locked position.

13

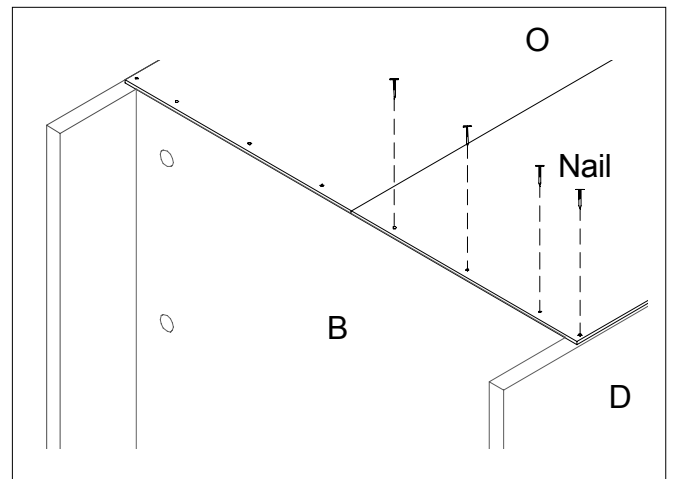
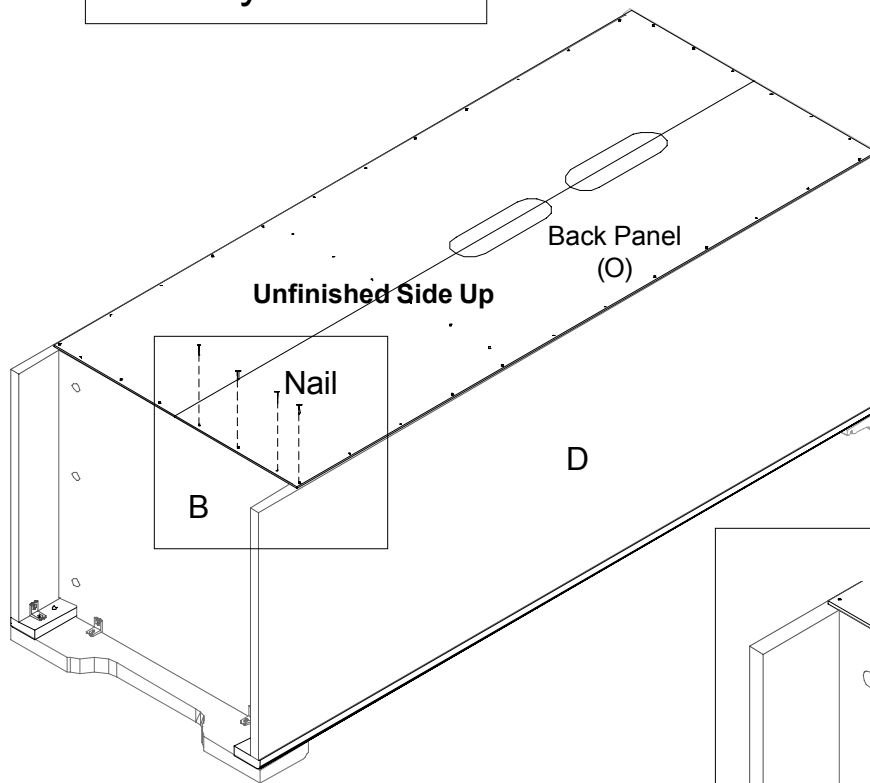


(42) Nails



Hammer

Back Panel adds stability to case.



**Action Required:**

- \* With a helper, turn unit with its front against the floor.
- \* Position back panel (O), **unfinished side up**, even with the bottom edge of bottom (B) and pilot holes align with back edge of shelf (F).
- \* Make sure panel (O) fits square and even side to side. If it doesn't, adjust unit into square by pushing or pulling on one corner of the unit until back panel fits squarely.
- \* While nailing into pilot holes, take care to hammer nails in straight.

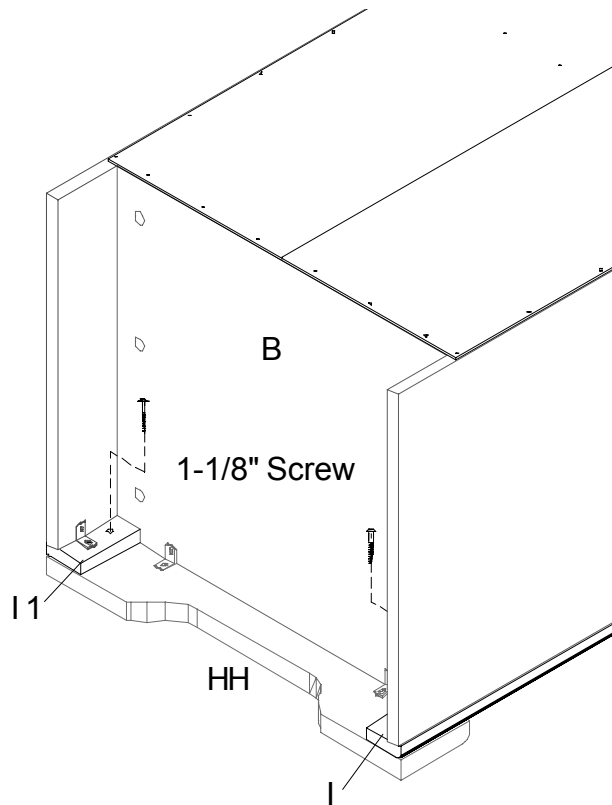
# 14



(2) 1-1/8" Round Washer-Head Screws



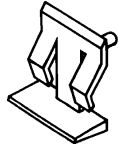
Phillips-Head Screwdriver



## Action Required:

- \* Secure bottom front molding (HH) to left and right vertical rails (I & I 1), using (2) 1-1/8" screws.

# 15

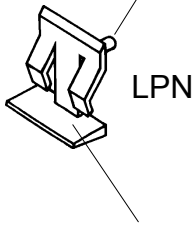


(8) Locking Shelf Pins (LPN)

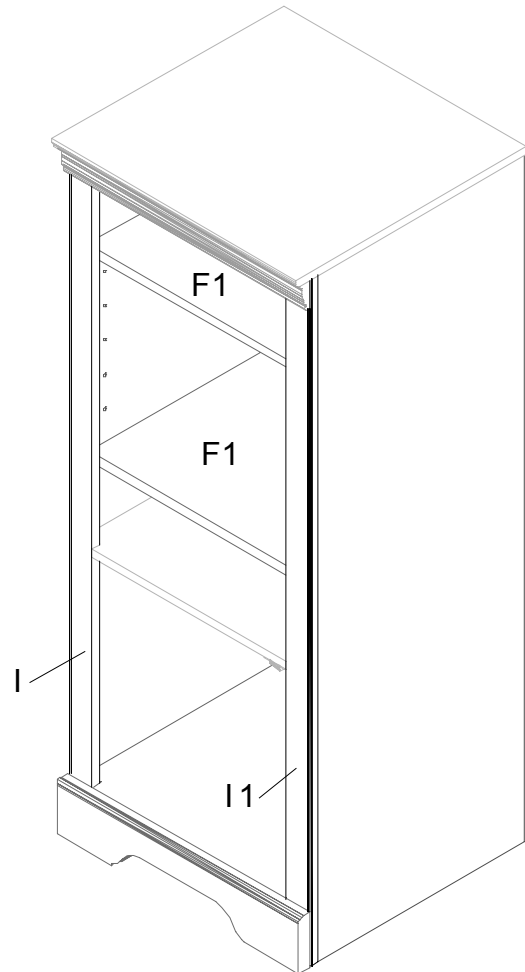
**Helpful Hint...**  
If adjustment is necessary to vertical rails (I & I 1), loosen screws adjust and retighten.

### Helpful Hint...

Insert nub into the holes at the height you desire.



Adjustable Shelf rests on this portion of the shelf pin once the shelf is pushed down and locked in place.



### Action Required:

- \* With a helper, stand unit in its upright position.
- \* **SEE HELPFUL HINT...**
- \* To install (2) adjustable shelves (F1), push (8) locking shelf pins (LPN) into the holes at the height you desire.
- \* Position the shelves, **finished edge out**, so they rest on top of the locking shelf pins and push down to lock in place.

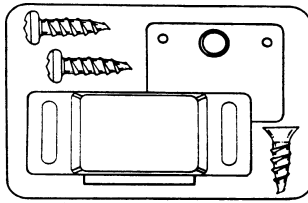
# 16 a

## Door Assembly

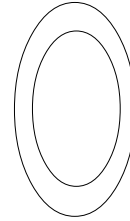
(4) 1/2" Phillips-head Screws (S2)



Phillips-Head Screwdriver

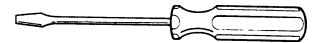


(1) Magnetic Catch (MC) with  
(2) round-head screws  
(1) Strike Plate (SP) with  
(1) flat-head screw



(1) Knob

(1) 1-1/4" Hardware Bolt

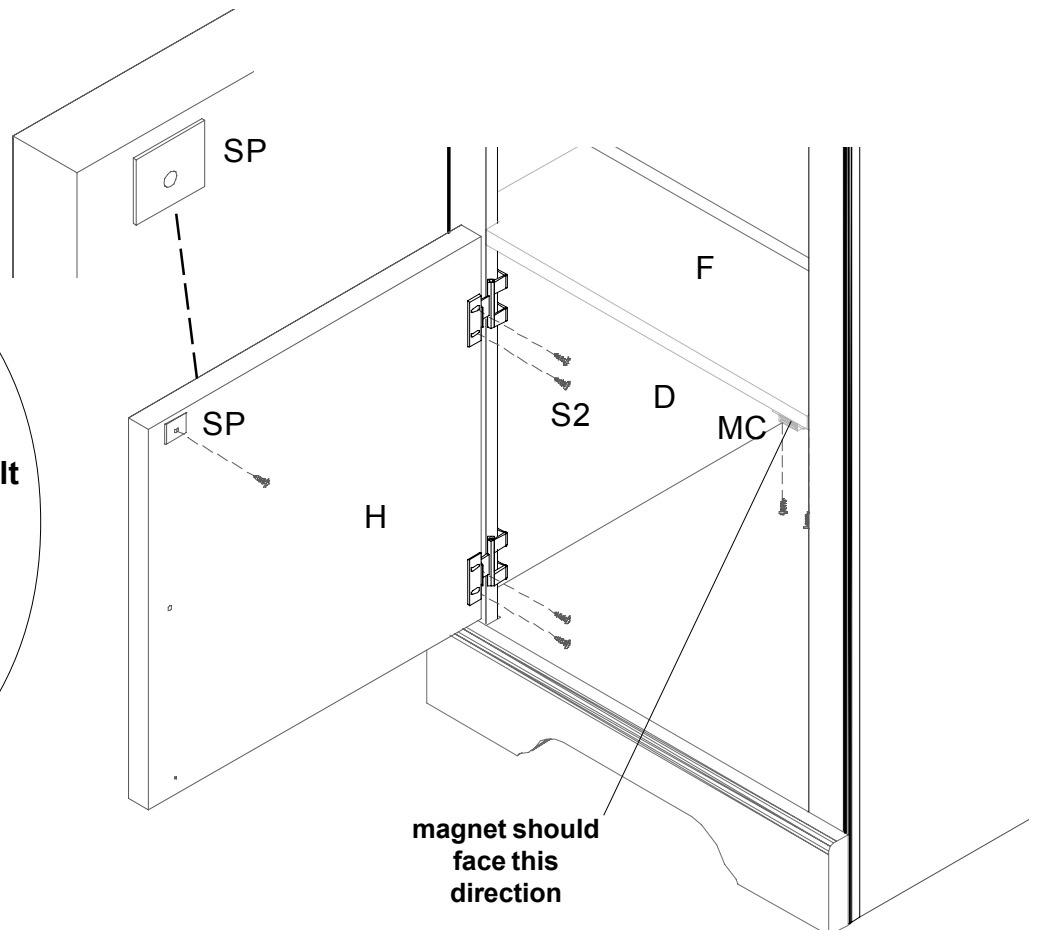
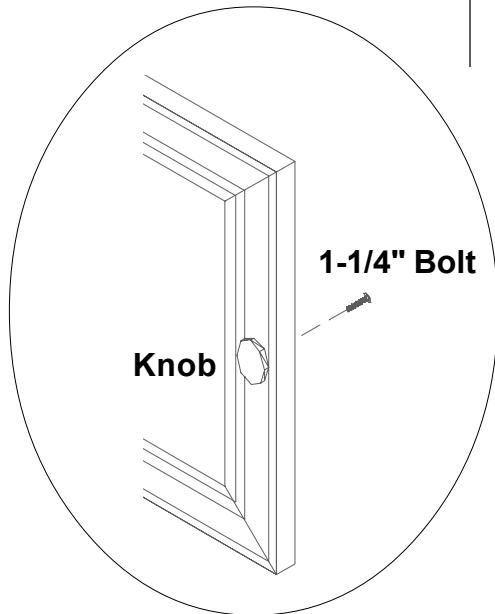


Standard Flat-Head  
Screwdriver

## Option 1... Door opening from right to left

### Helpful Hint...

To secure knob to unit,  
hold knob while  
tightening bolt to allow  
nub to embed into wood.



### Action Required:

- \* With a helper, attach door (H) to unit, using (2) screws (S2) in each hinge.
- \* **SEE HELPFUL HINT...** Attach knob to door (H), using a 1-1/4" hardware bolt.
- \* **Adjustment may be made to door (H) by loosening screws in hinges, adjusting and retightening.**
- \* Attach magnetic catch (MC) to shelf (F), using the round-head screws provided in the small plastic bag.
- \* Attach strike plate (SP), as shown, to door (H), using the flat-head screw provided in the small plastic bag.

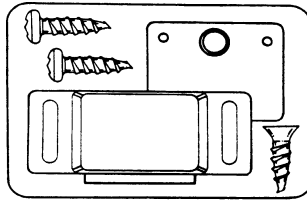
# 16 b



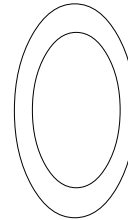
(4) 1/2" Phillips-head Screws (S2)



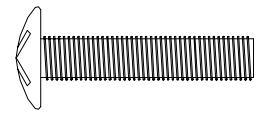
Phillips-Head Screwdriver



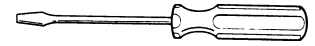
(1) Magnetic Catch (MC) with  
(2) round-head screws  
(1) Strike Plate (SP) with  
(1) flat-head screw



(1) Knob

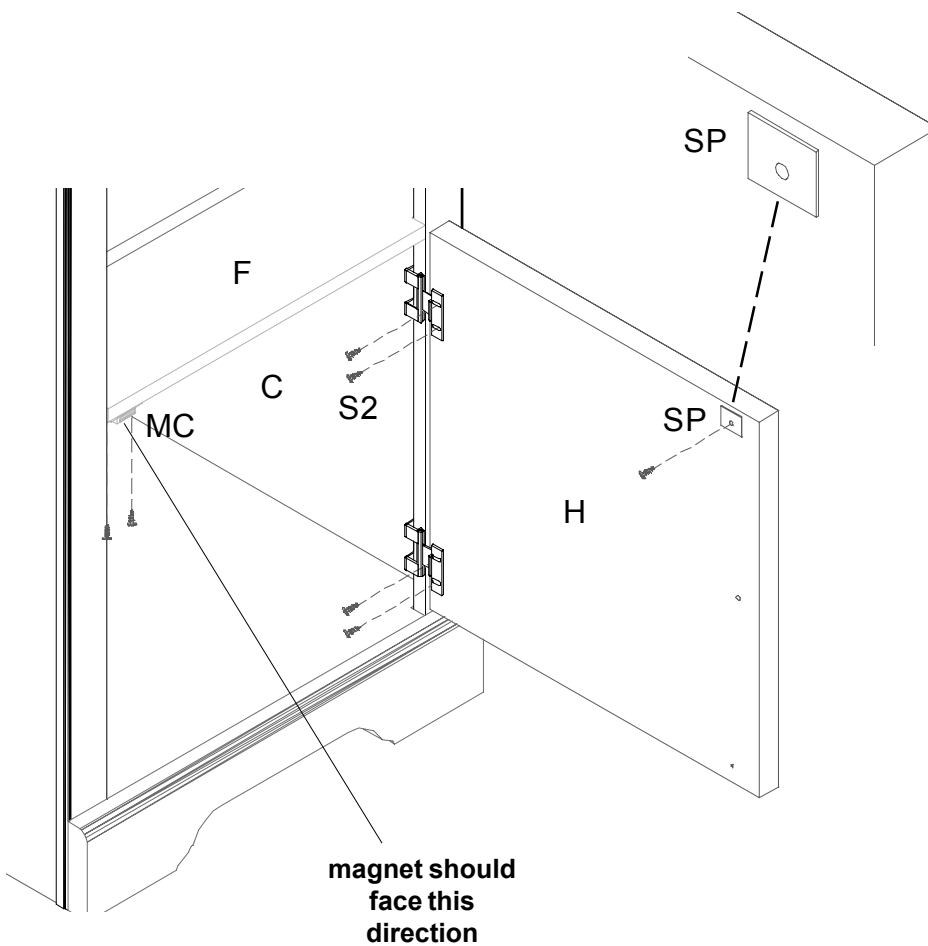


(1) 1-1/4" Hardware Bolt

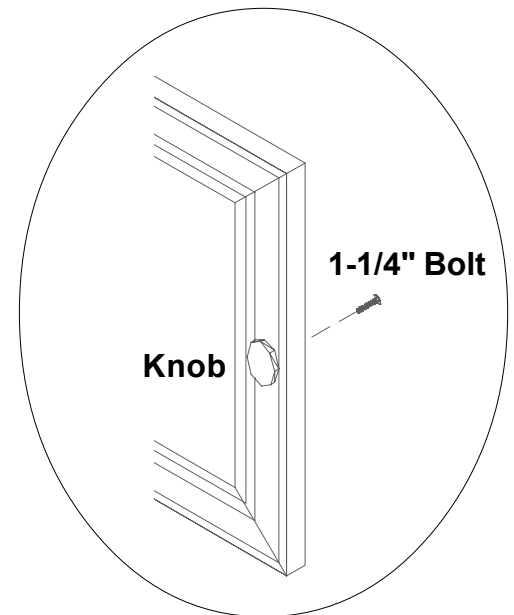


Standard Flat-Head  
Screwdriver

## Option 2... Door opening from left to right



**Helpful Hint...**  
To secure knob to unit,  
hold knob while  
tightening bolt to allow  
nub to embed into wood.

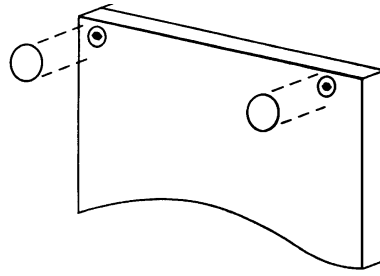


### Action Required:

- \* With a helper, attach door (H) to unit, using (2) screws (S2) in each hinge.
- \* **SEE HELPFUL HINT...** Attach knob to door (H), using a 1-1/4" hardware bolt.
- \* **Adjustment may be made to door (H) by loosening screws in hinges, adjusting and retightening.**
- \* Attach magnetic catch (MC) to shelf (F), using the round-head screws provided in the small plastic bag.
- \* Attach strike plate (SP), as shown, to door (H), using the flat-head screw provided in the small plastic bag.

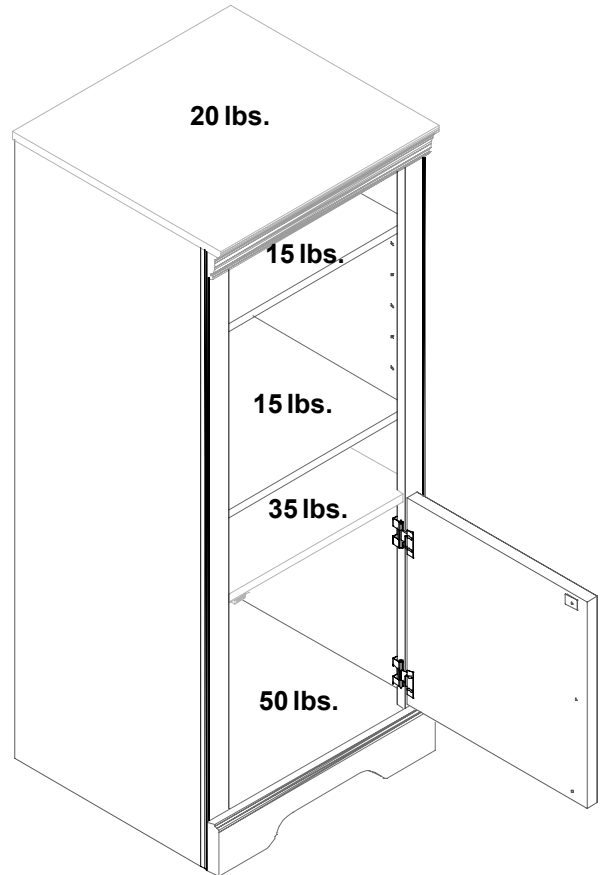
# 17

\* Decorative cover caps are provided to cover exposed cam housings on finished panels.



## IMPORTANT

**Do not exceed the recommended weight limits on the designated panels. Exceeding this limit could cause sagging, possibly resulting in failure of the panels or bodily injury.**





A **touch-up pen** has been provided for any touch up needed.

That's it! You've finished assembling your Entertainment Pier with Door by



## **Furniture Care Instructions:**

**Dust with a clean, lint-free cloth. Use a spray furniture polish as needed. Small nicks and scratches can be touched up with a furniture touch-up stick.**