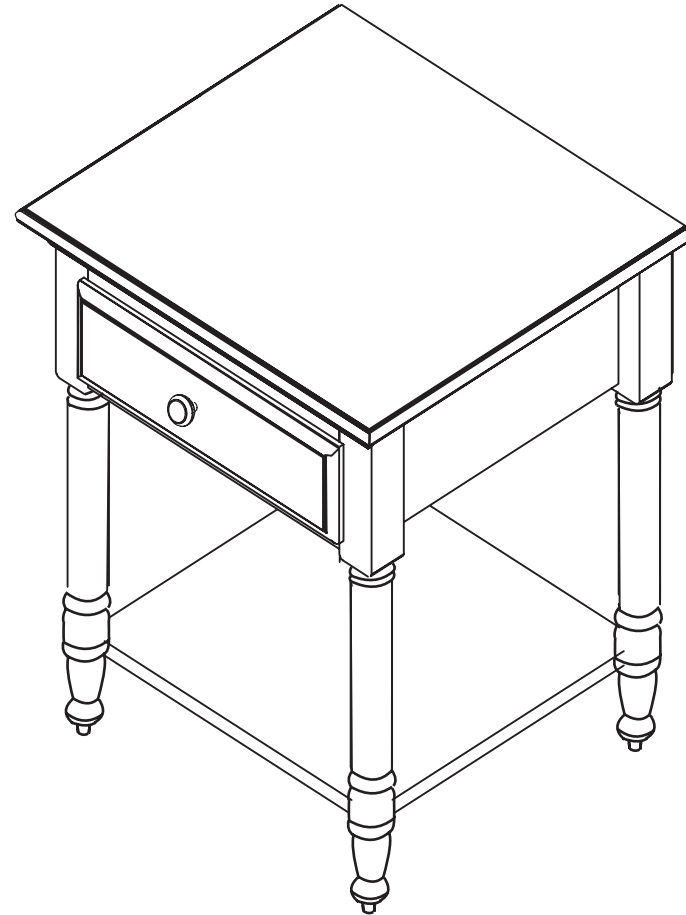


Bryant Park(3182)

side table

style# 3182 - 803

dpci# 249 - 03 - 0034



>> assembly instructions



Congratulations on your latest Target purchase.

Now what? Don't start sweating over the box of parts. This will be easy. We did the hard work for you. All you need to do is follow our simple instructions and you'll be on your way to transforming your room in no time. Good luck--though we're confident you won't need it.

before you begin

1. Check for damaged or missing parts. Call 1-800-782-3876 or e-mail CSupport@Thomasville.com between 8:00am - 9:00pm, Monday - Friday and 9:00am - 5:00pm, Saturday (Eastern Time) to order missing supplies. Please refer to the DPCI code when calling.
2. Use the carton as a working surface to prevent product damage during assembly.
3. Gather all tools prior to assembly.

tools needed

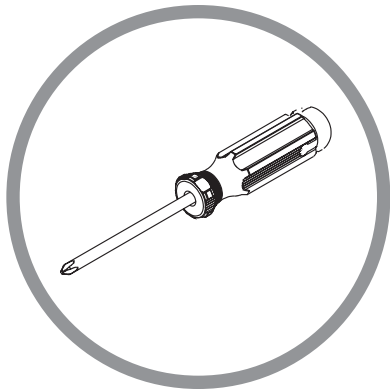


table of contents

introduction	2
hardware	4
parts list	5
assembly	6-8

hardware

(H15) x 1

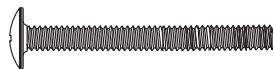
Knob



80157113

(H14) x 1

1-3/8"pan-head machine screw

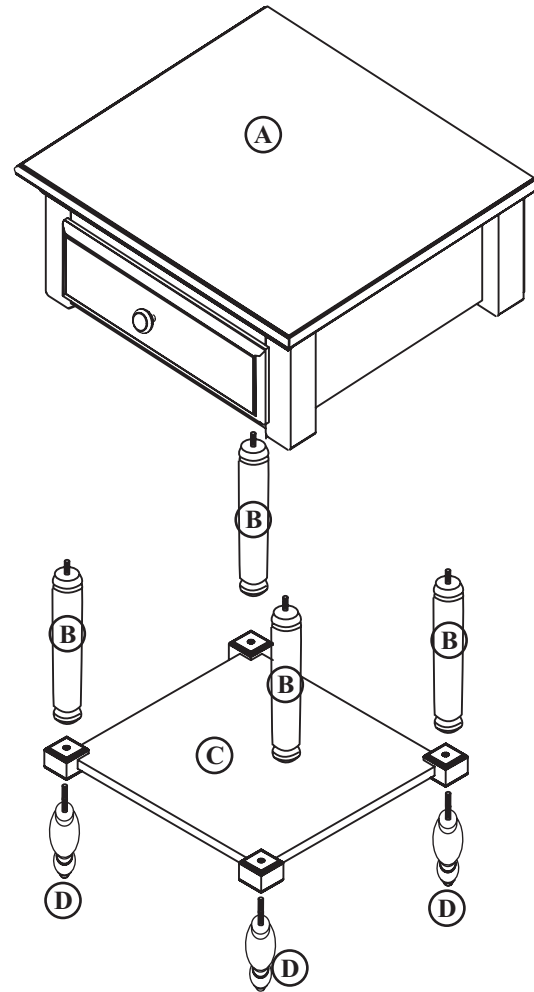


80157048

Missing

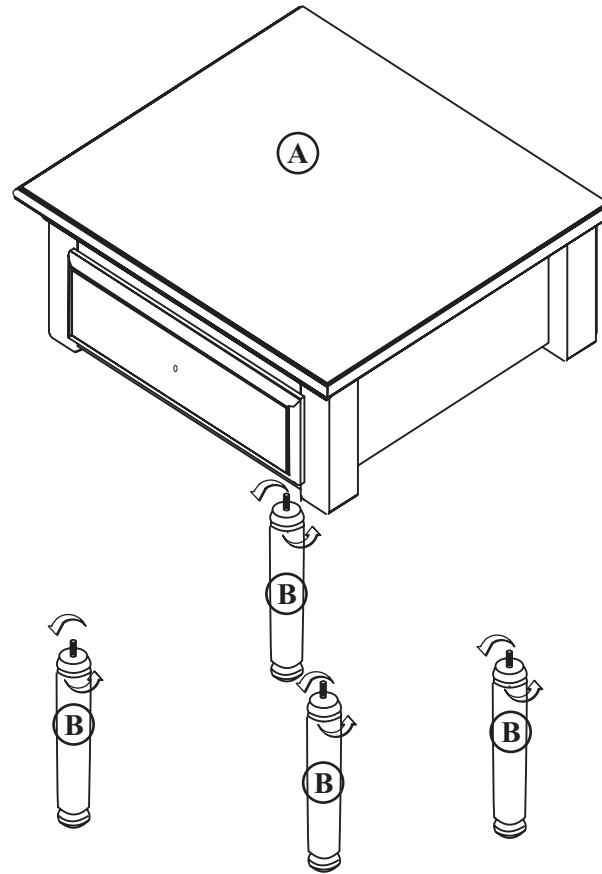
ITEM	DESCRIPTION	PART NUMBER	QUANTITY
------	-------------	-------------	----------

A	top panel	80157109	1
B	middle foot	80157110	4
C	bottom panel	80157111	1
D	base foot	80157112	4

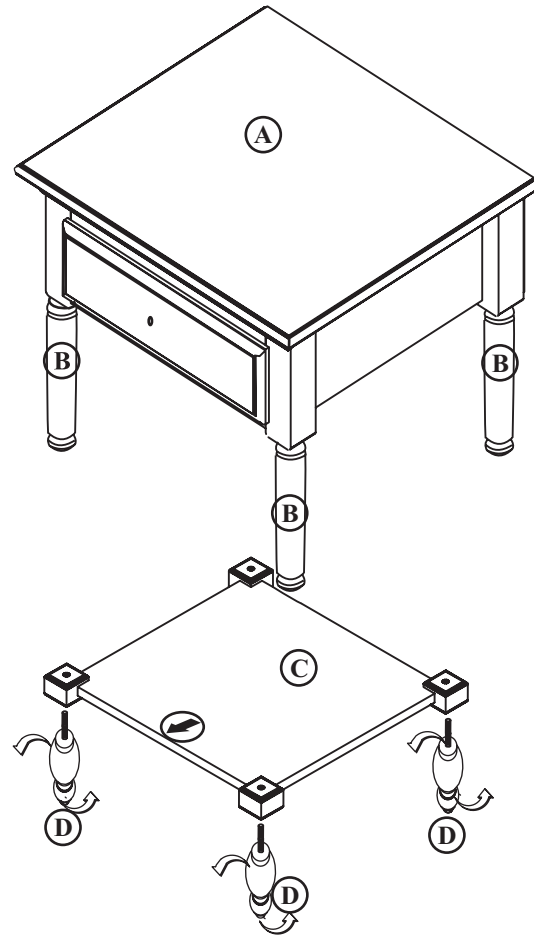


Note: All parts may not be identified with labels.

step 1.



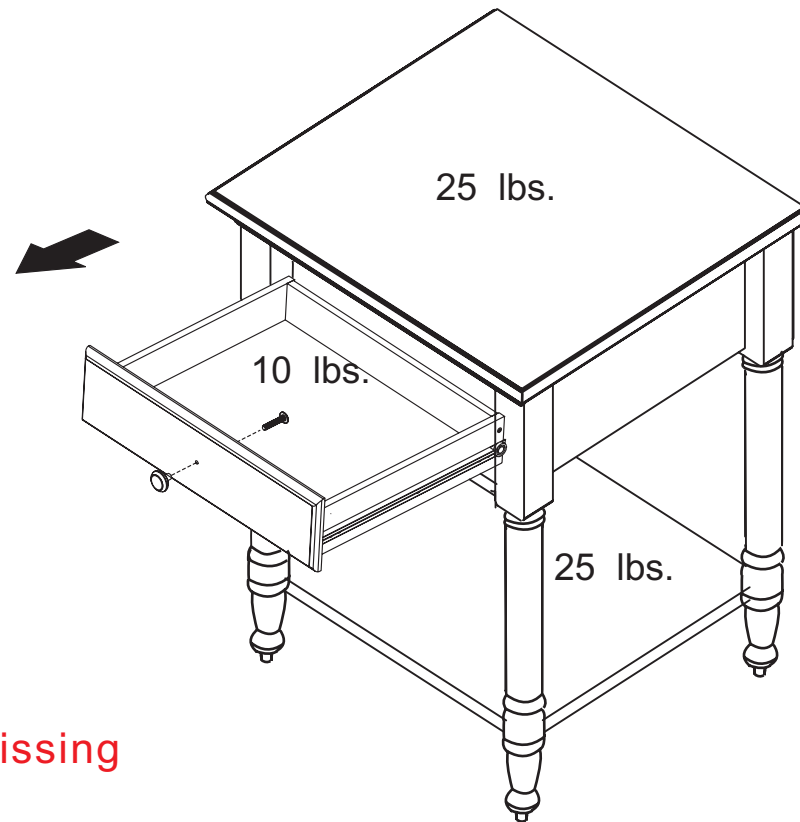
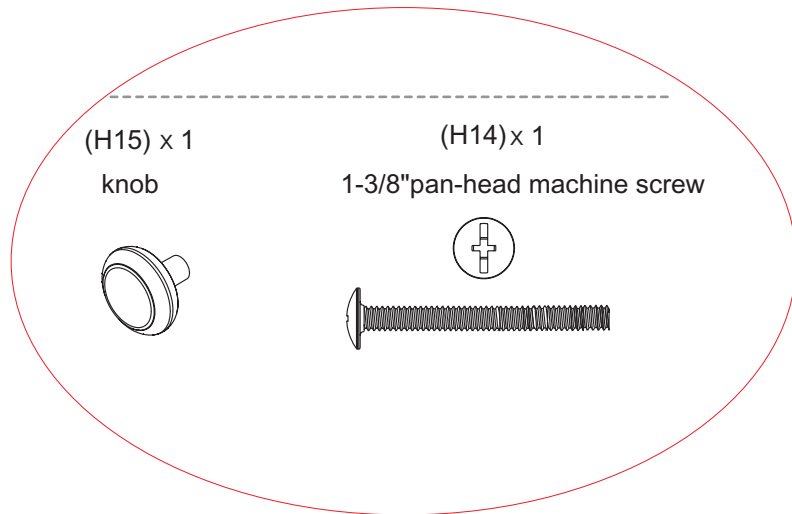
step 2.



step 3.

IMPORTANT

Do not exceed the recommended weight limit on the designated panels. Exceeding this limit could cause sagging, possibly resulting in failure of the panel or bodily injury.



Missing



© 2008 Target. The Bullseye Design is a trademark of Target Brands, Inc. All rights reserved.