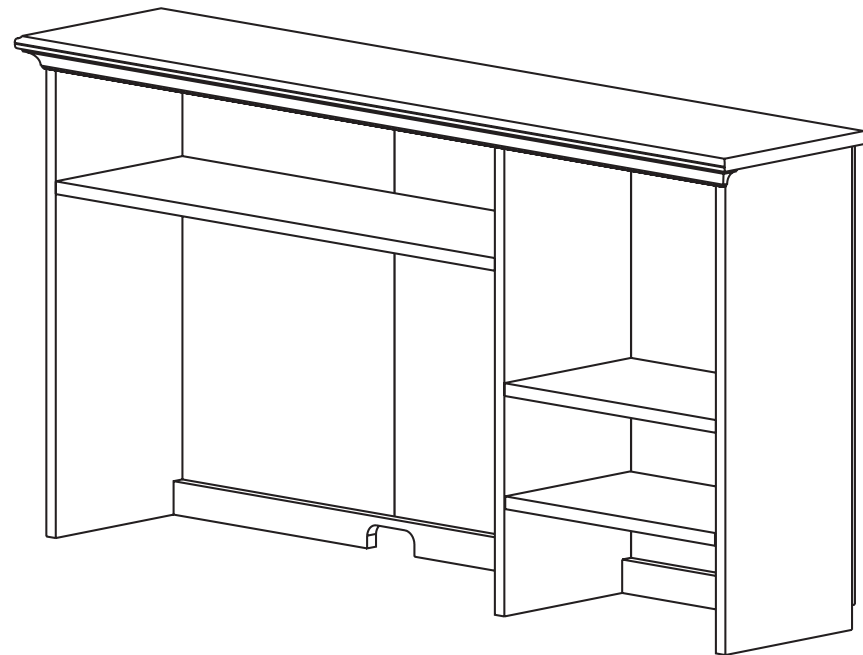


Bryant Park (3182 WP)

tall hutch

style # 3182-733

dpci # 249 - 03 - 0033



>> assembly instructions

Congratulations on your latest Target purchase.

Now what? Don't start sweating over the box of parts. This will be easy. We did the hard work for you. All you need to do is follow our simple instructions and you'll be on your way to transforming your room in no time. Good luck--though we're confident you won't need it.

before you begin

1. Check for damaged or missing parts. Call 1-800-782-3876 or e-mail CSupport@Thomasville.com between 8:00am - 9:00pm, Monday - Friday and 9:00am - 5:00pm, Saturday (Eastern Time) to order missing supplies. Please refer to the DPCI code when calling.
2. Use the carton as a working surface to prevent product damage during assembly.
3. Gather all tools prior to assembly.

tools needed

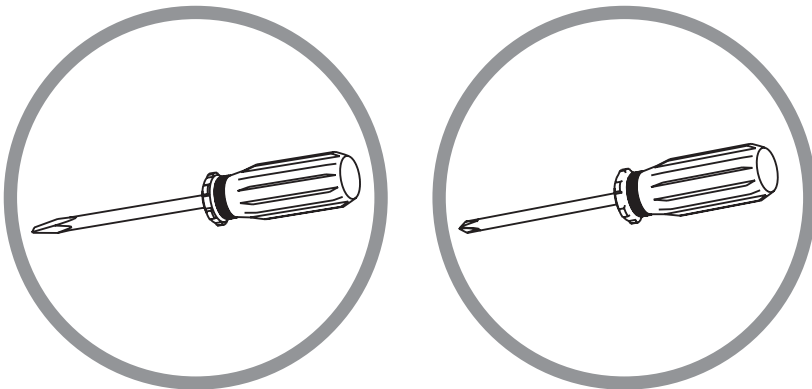


table of contents

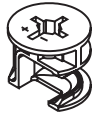
introduction	2
hardware	4
parts list	5
how to use the cam lock system	6
assembly	7-15

QUESTIONS? Just call 1-800-782-3876 for parts and service. For faster service, have the style number and DPCI number ready when calling.

hardware

(H1)x20

cam



80159658

(H2)x20

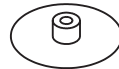
cam bolt



80159659

(H23)x14

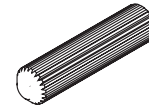
cam cover cap



80159672

(H4)x13

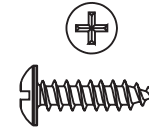
8*30 wooden dowel



80159660

(H5)x34

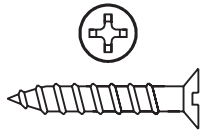
5/8" pan-head screw



80159661

(H18)x 3

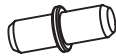
1" flat-head screw



80159673

(H13)x4

shelf pin



80159665

(H8)x 3

metal washer



80159674

(H22)x 2

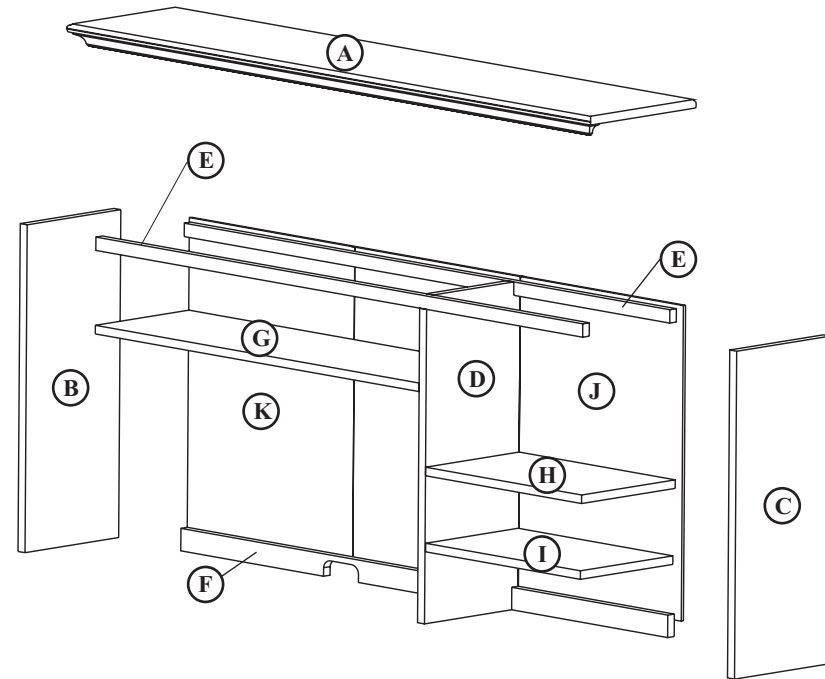
bracket



80159675

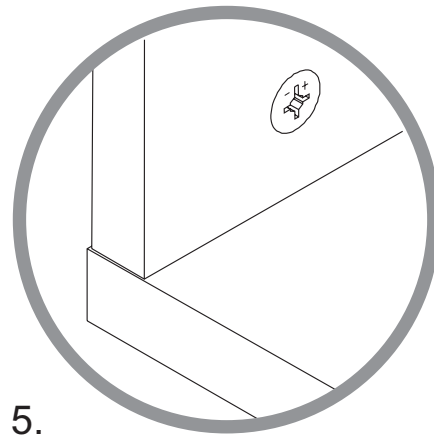
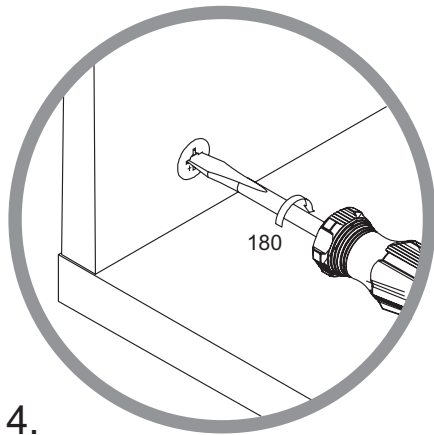
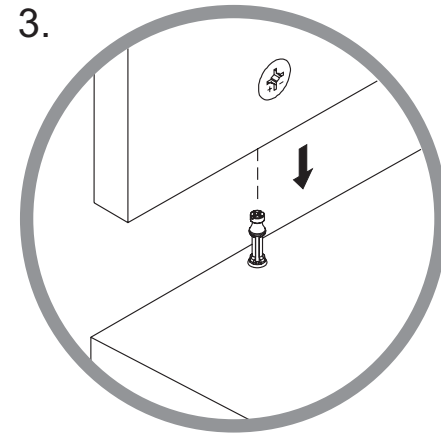
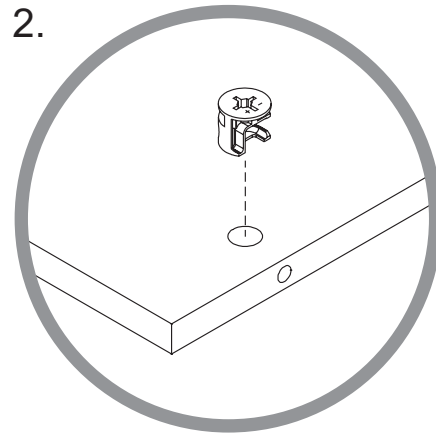
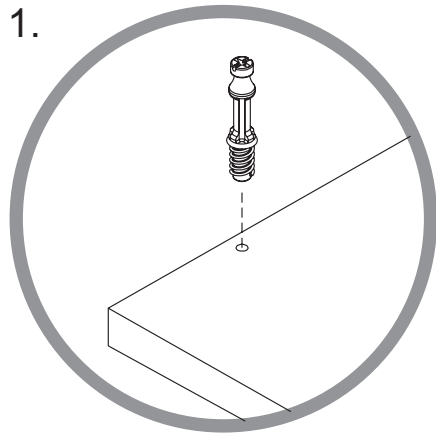
ITEM DESCRIPTION PART NUMBER QUANTITY

A	top panel	80159725	1
B	left side panel	80159726	1
C	right side panel	80159727	1
D	middle panel	80159728	1
E	top rail	80159729	2
F	back rail	80159730	1
G	left fixed panel	80159731	1
H	right fixed panel	80159732	1
I	adjustable panel	80159733	1
J	right back panel	80159734	1
K	left back panel	80159735	1



Note: All parts may not be identified with labels.

how to use the cam lock system

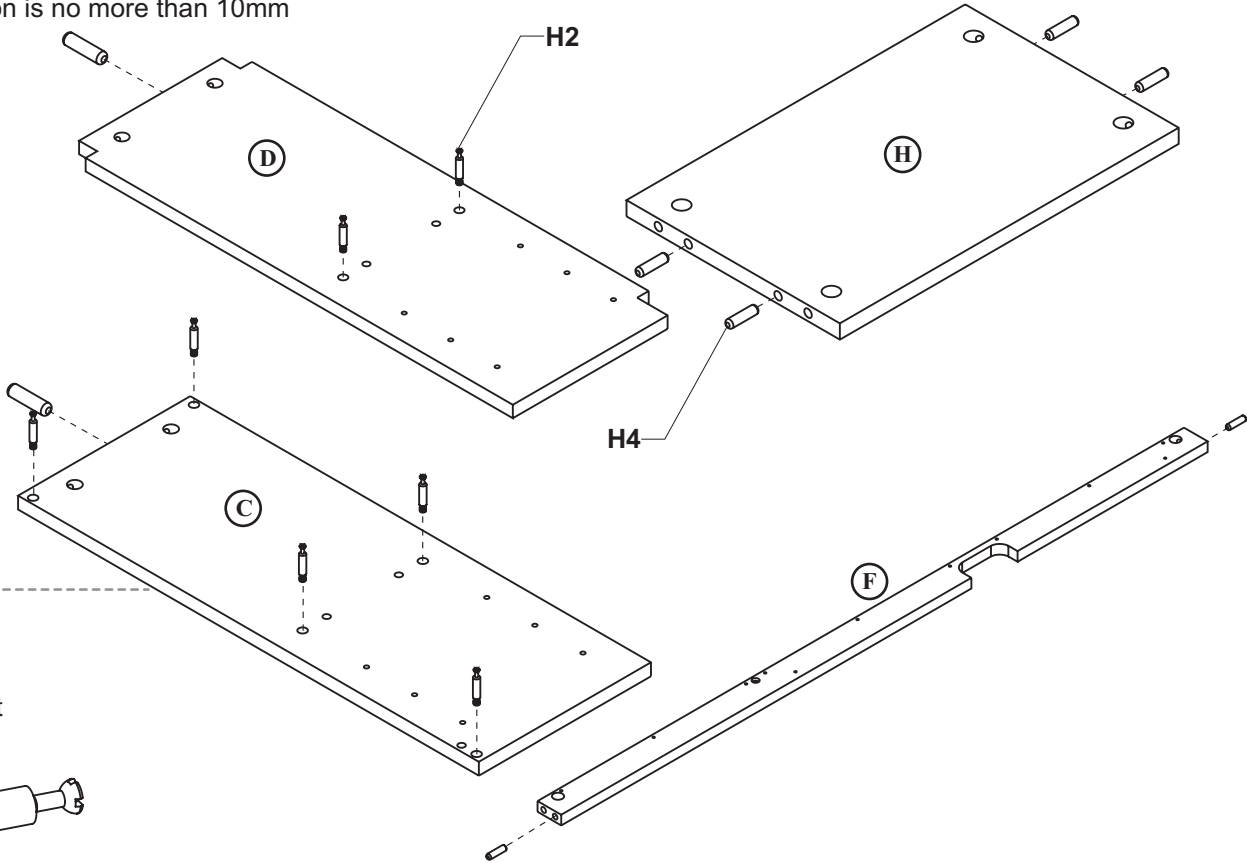


Important Note:

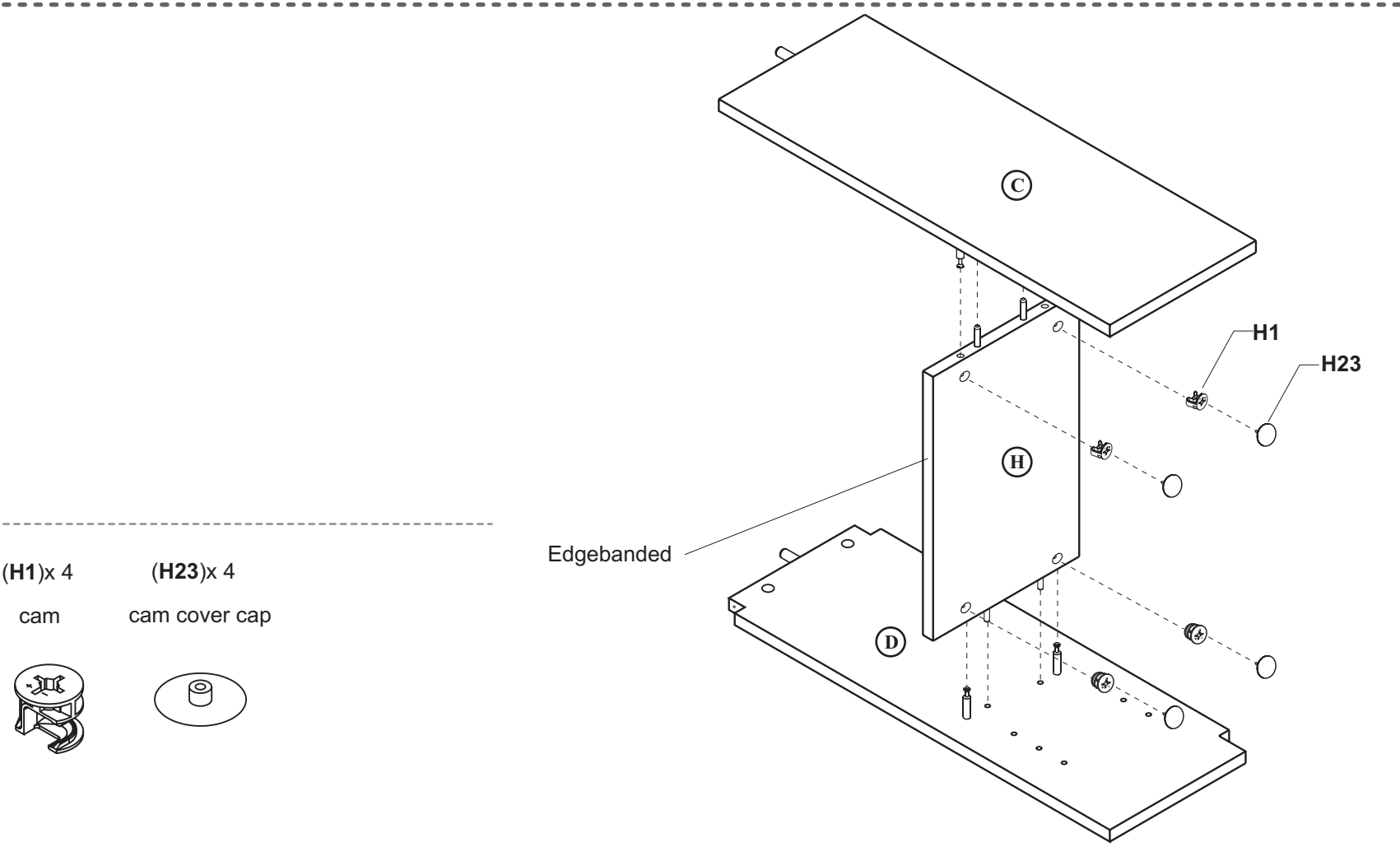
- +/- on the cam should be positioned as shown.
- Do not overtighten the cam bolt

step 1.

make sure the wood dowel protrusion is no more than 10mm

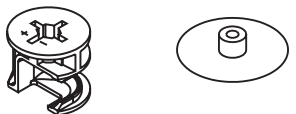


step 2.

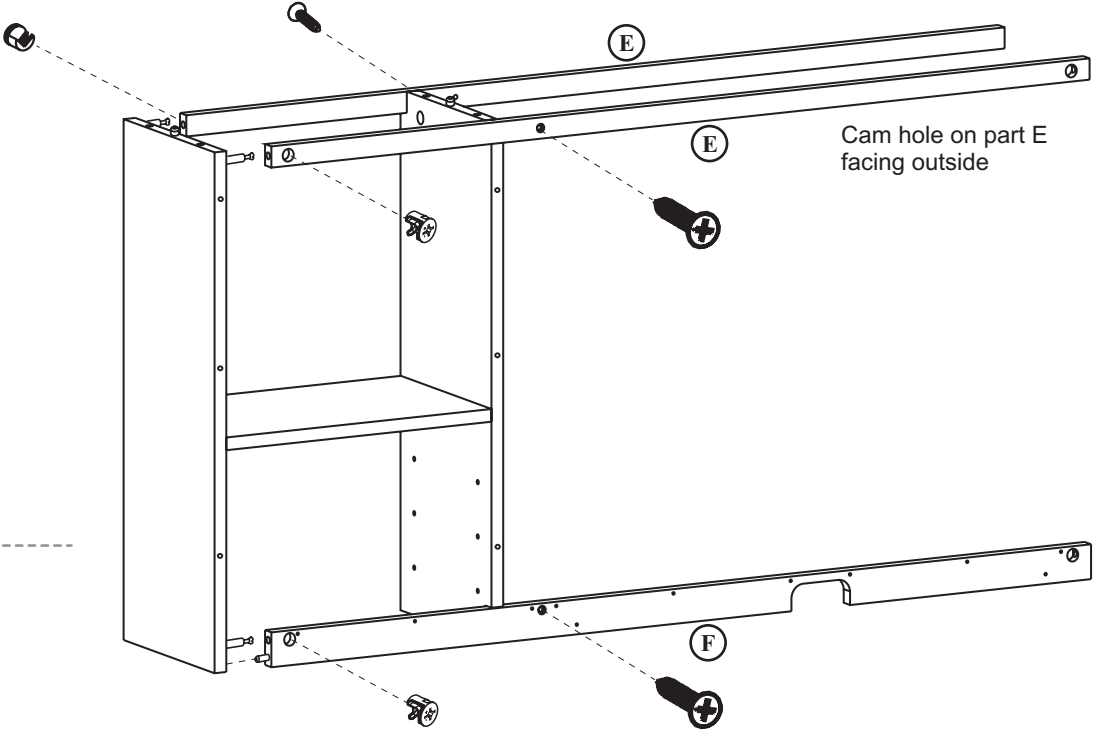


(H1)x 4
cam

(H23)x 4
cam cover cap



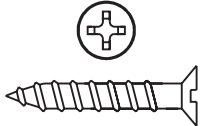
step 3.



(H1)x 3
cam

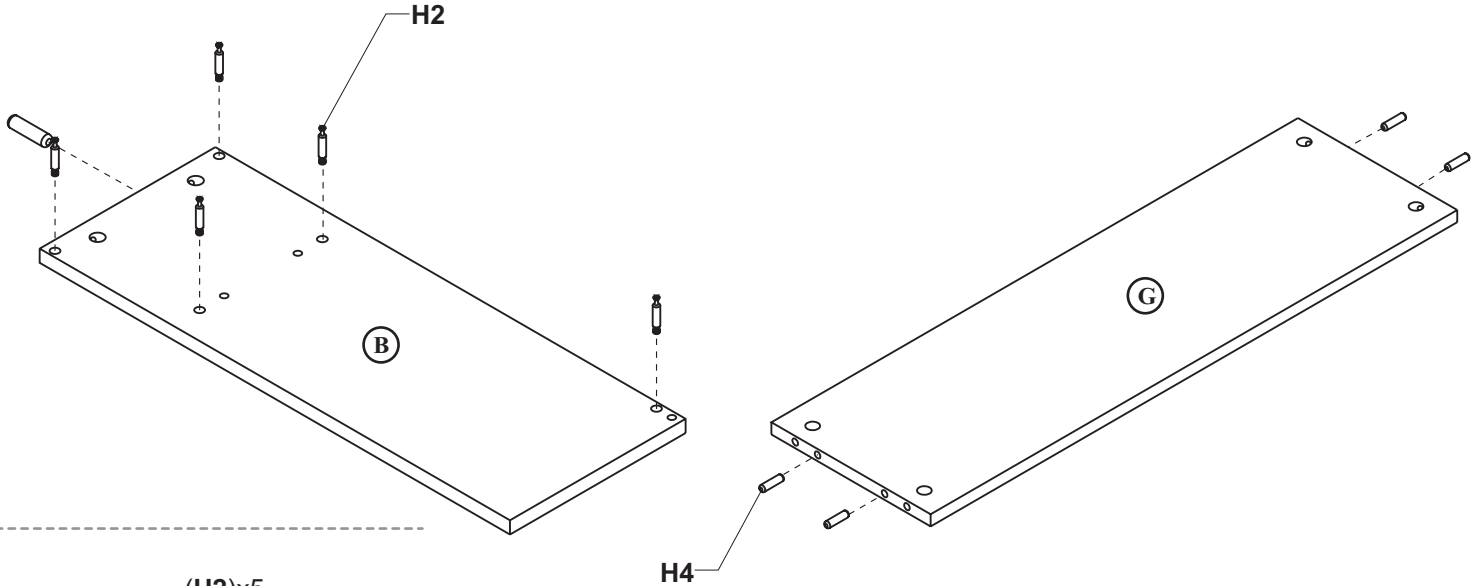


(H18)x 3
1" flat-head screw



step 4.

make sure the wood dowel protrusion is no more than 10mm

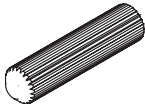


(H4)x5

(H2)x5

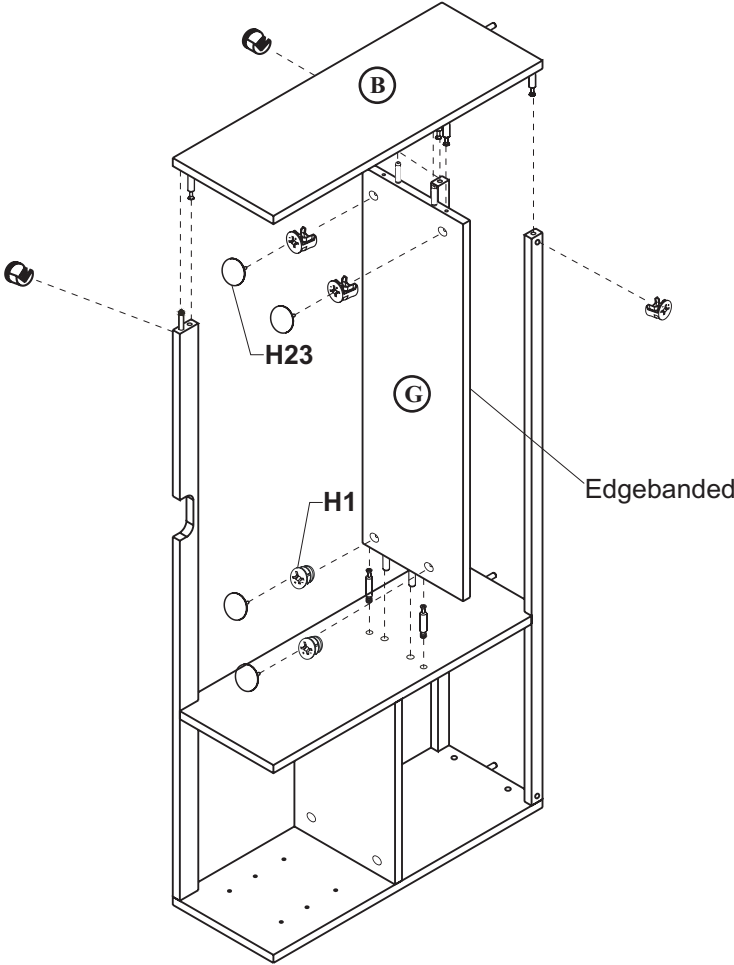
8*30 wooden dowel

cam bolt



step 5.

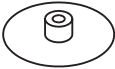
With a helper...



(H1)x 7
cam

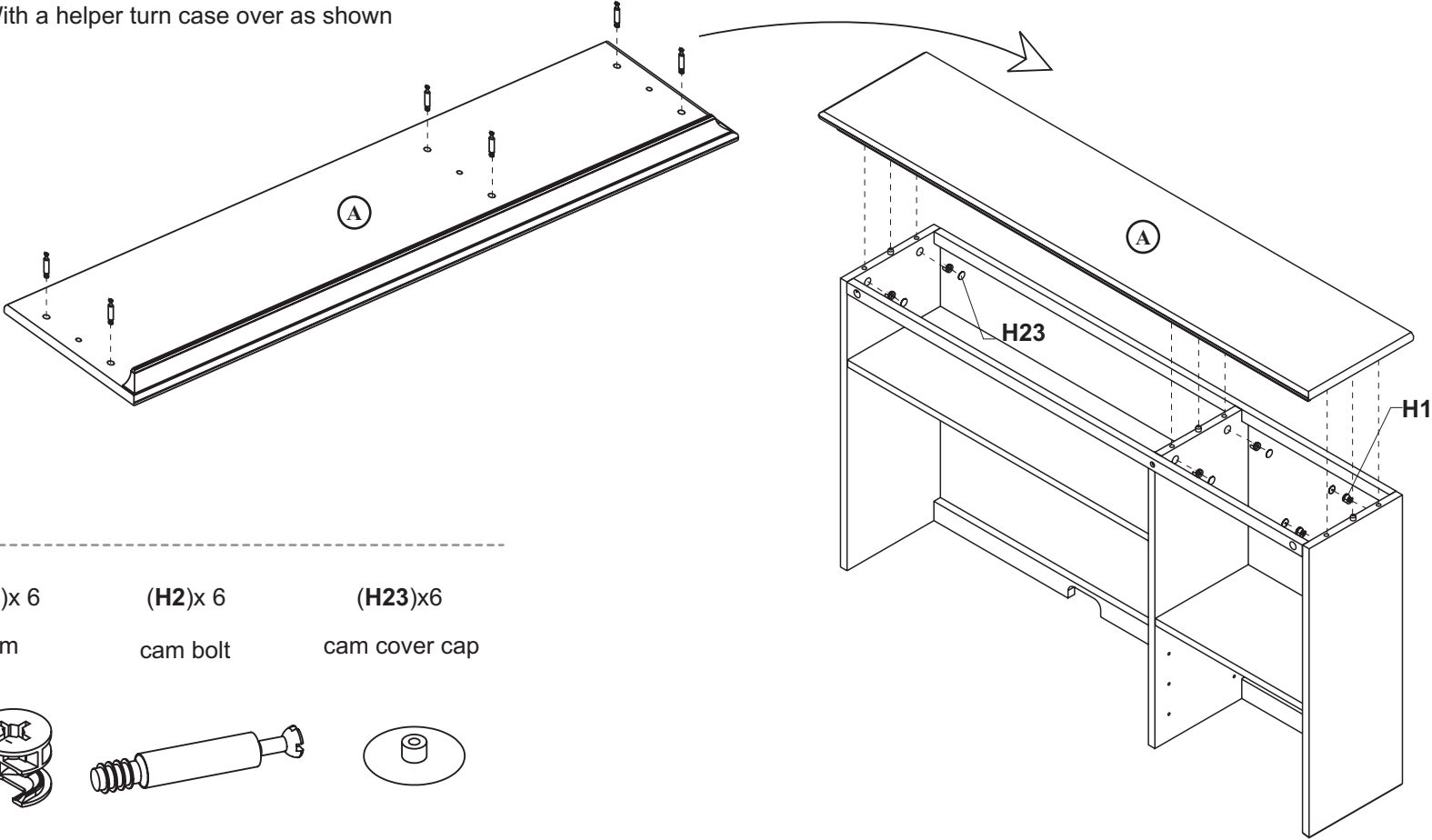
(H2)x 2
cam bolt

(H23)x4
cam cover cap



step 6.

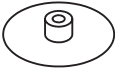
With a helper turn case over as shown



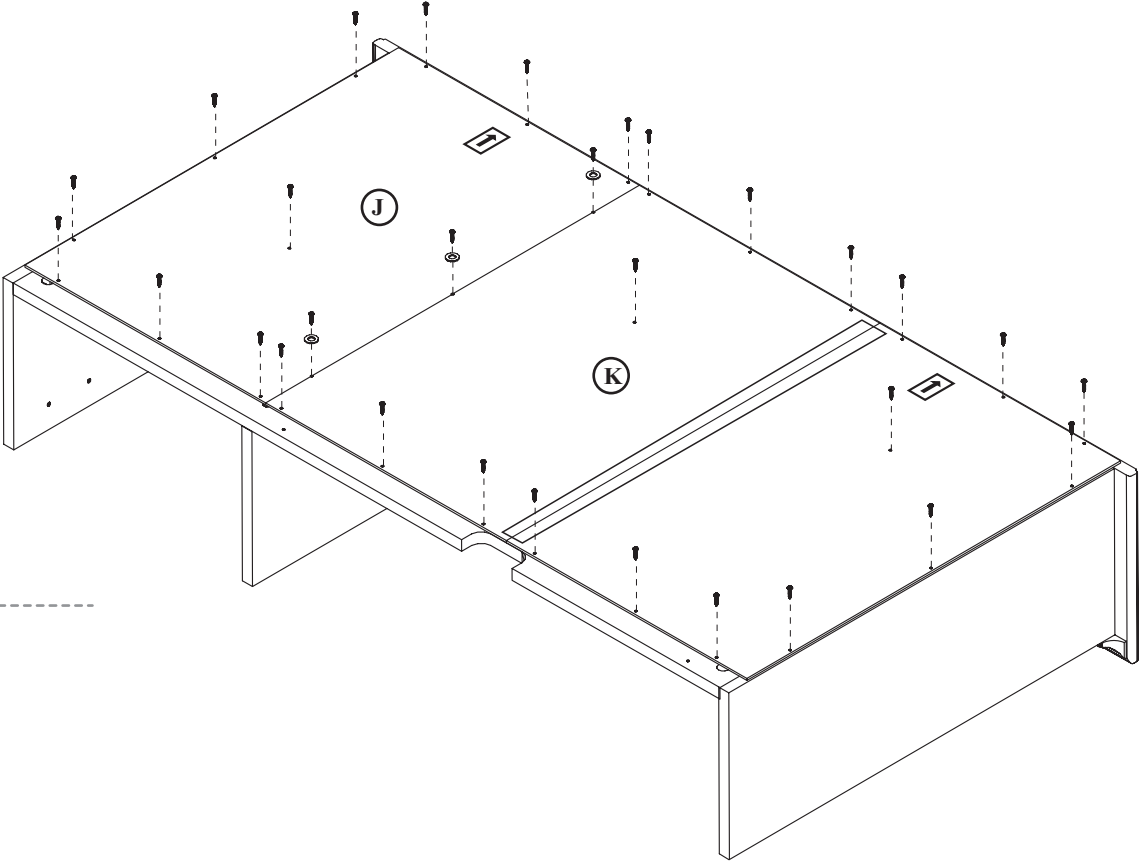
(H1)x 6
cam

(H2)x 6
cam bolt

(H23)x6
cam cover cap

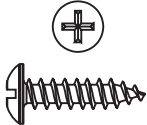


step 7.



(H5)x30

5/8" pan-head screw



(H8)x 3

metal washer



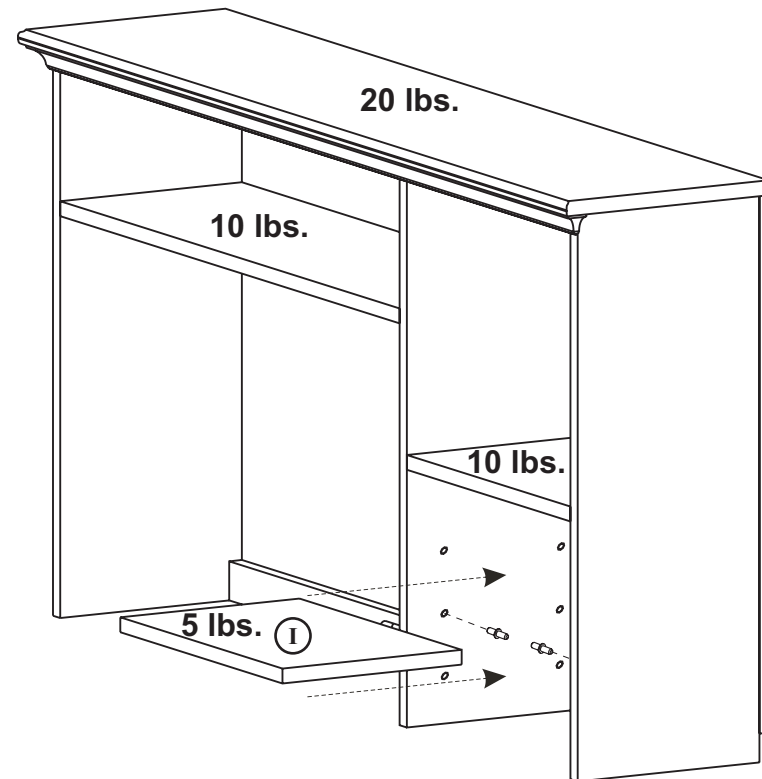
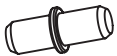
step 8.

IMPORTANT

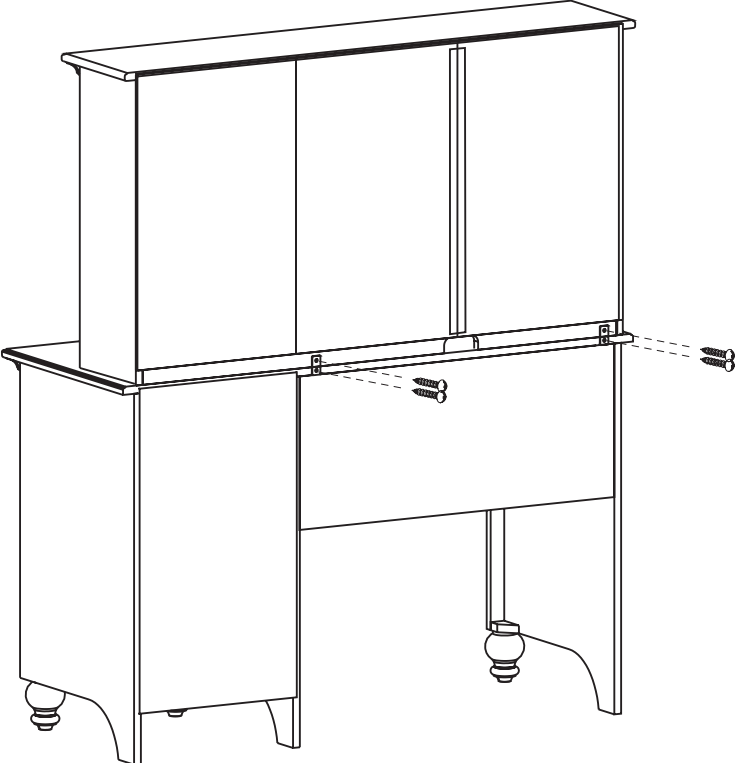
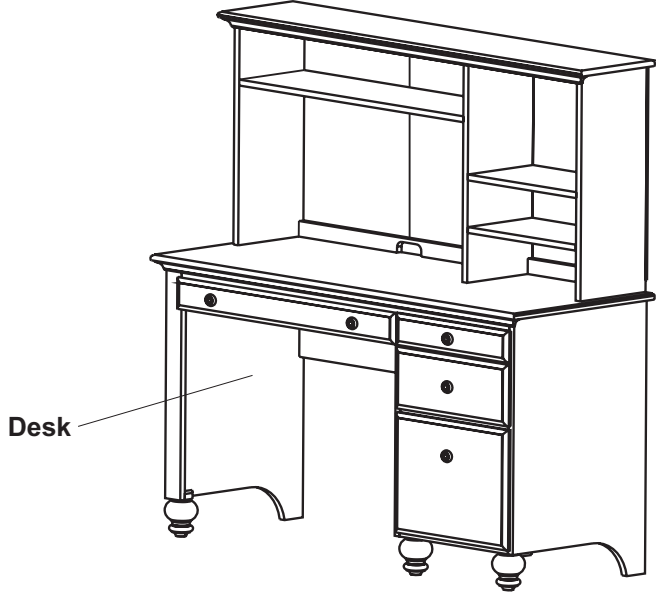
Do not exceed the recommended weight limit on the designated panels. Exceeding this limit could cause sagging, possibly resulting in failure of the panel or bodily injury.

(H13)x 4

shelf pin



step 9.



(H5)x 4

(H22)x 2

5/8" pan-head screw

bracket

