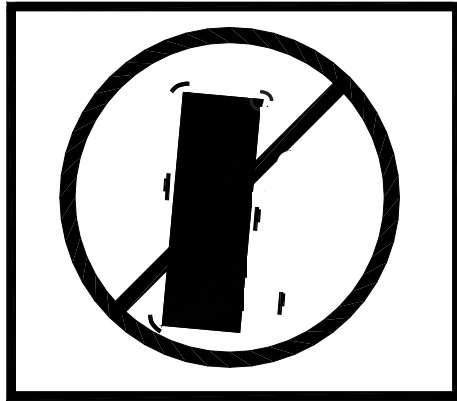


# Westmont(2596)

## 2-shelf bookcase

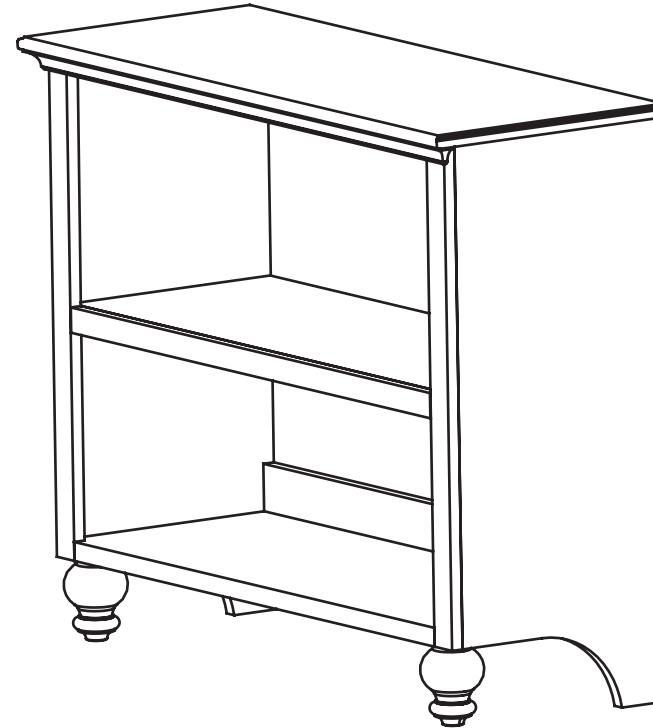
style# 2596 - 122

dpci# 249 - 03 - 0038



**WARNING...**This unit is to be used for storage only. Other uses may cause product to tip.

- Do not allow anyone to climb on unit.
- Put heavy items on lower shelves.



>> assembly instructions



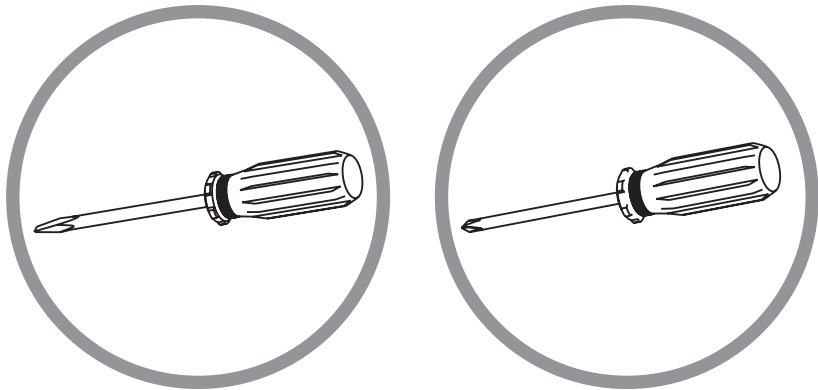
## Congratulations on your latest Target purchase.

Now what? Don't start sweating over the box of parts. This will be easy. We did the hard work for you. All you need to do is follow our simple instructions and you'll be on your way to transforming your room in no time. Good luck--though we're confident you won't need it.

## before you begin

1. Check for damaged or missing parts. Call 1-800-782-3876 or e-mail [CSupport@Thomasville.com](mailto:CSupport@Thomasville.com) between 8:00am - 9:00pm, Monday - Friday and 9:00am - 5:00pm, Saturday (Eastern Time) to order missing supplies. Please refer to the DPCI code when calling.
2. Use the carton as a working surface to prevent product damage during assembly.
3. Gather all tools prior to assembly.

### tools needed



## table of contents

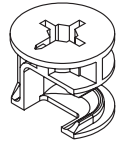
---

introduction	2
hardware	4
parts list	5
how to use the cam lock system	6
assembly	7-12

# hardware

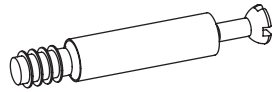
---

(H1) x 14  
cam



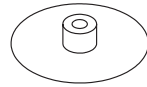
80157041

(H2) x 14  
cam bolt



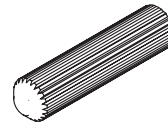
80157043

(H3) x 14  
cam cover cap



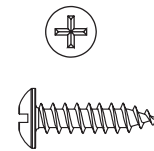
80157044

(H4B) x 12  
large black wooden dowel



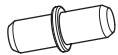
80157714

(H5) x 18  
5/8" pan-head screw



80157046

(H13) x 4  
shelf pin



80157069

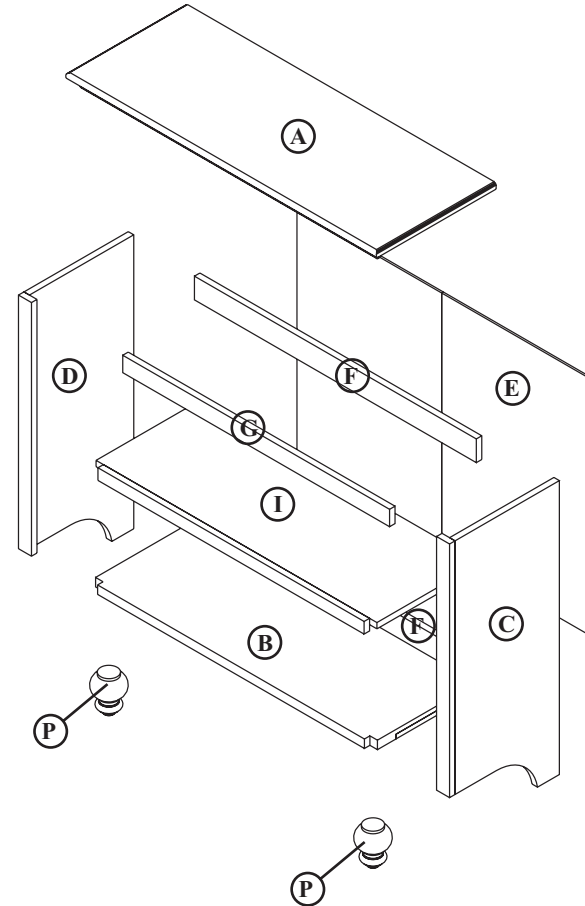
---

ITEM DESCRIPTION    PART NUMBER    QUANTITY

---

A	top panel	80157090	1
B	bottom panel	80157091	1
C	right side panel	80157092	1
D	left side panel	80157093	1
E	back panel	80157094	1
F	back rail	80157095	2
G	front top rail	80157096	1
I	adjustable panel	80157097	1
P	base foot	80157067	2

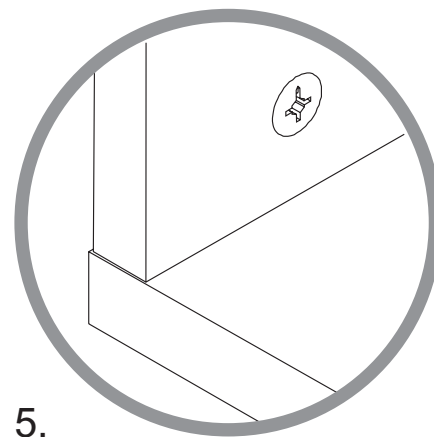
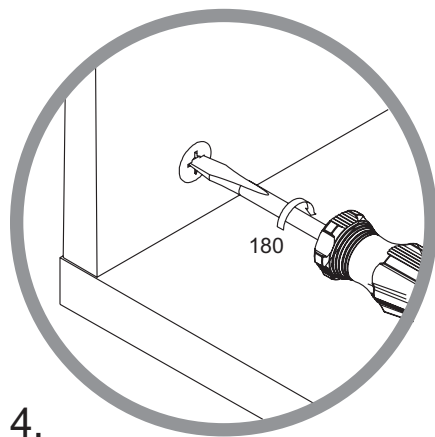
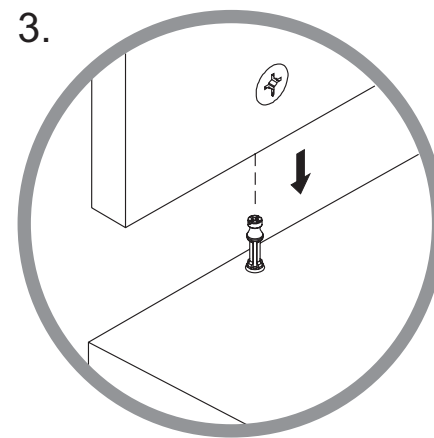
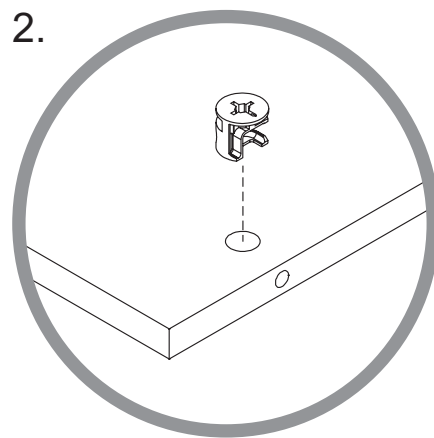
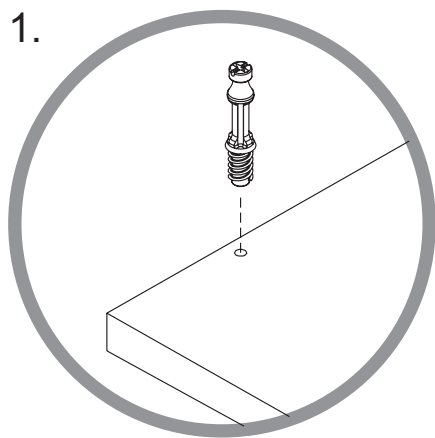
Front Top Rail (G) does not look like this on actual case. Under Top Molding was preassembled to Front Top Rail (G).



**Note: All parts may not be identified with labels.**

# how to use the cam lock system


---



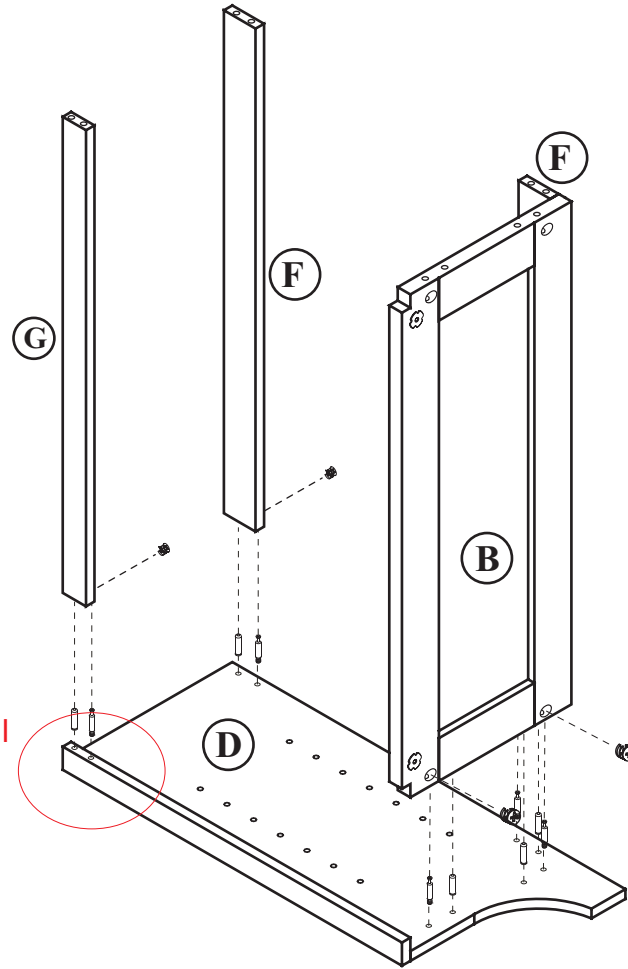
# step 1.

---

Under Top Molding preassembled to Front Top Rail (G). Does not reflect this in this diagram.

- (H1) x 5 cam
  - 6 (H4B) x 5 black wooden dowel
  - 4 (H2) x 5 cam bolt
- 

There were 2 dowels not stud and dowel in case

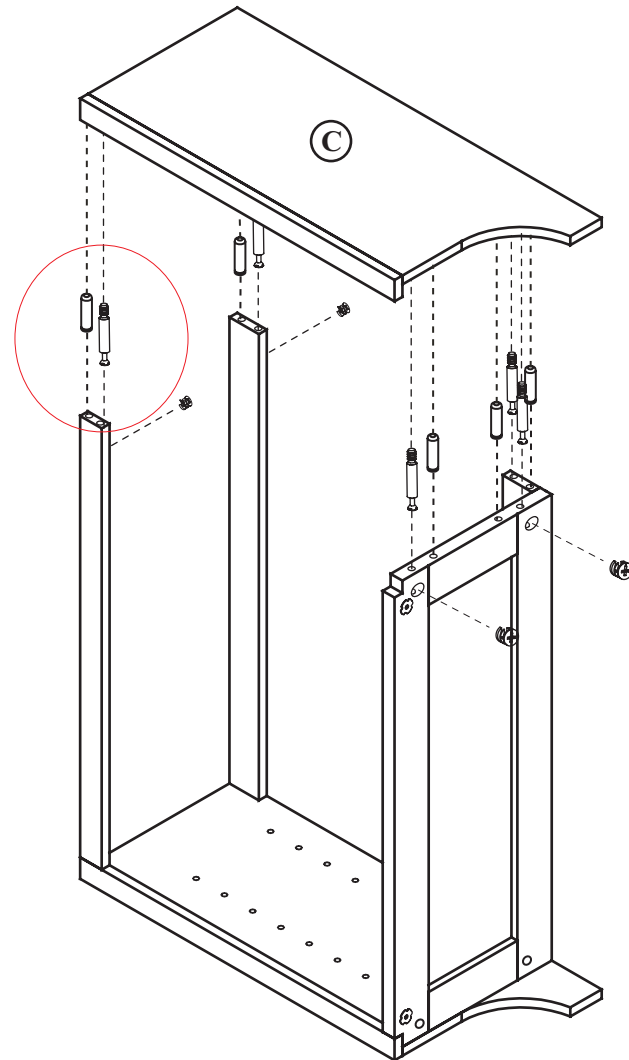


## step 2.

---

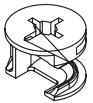
With a helper...

Case had 2  
dowels



---

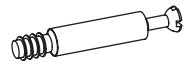
(H1) x 5  
cam



**6**  
(H4B) x 5  
black wooden dowel

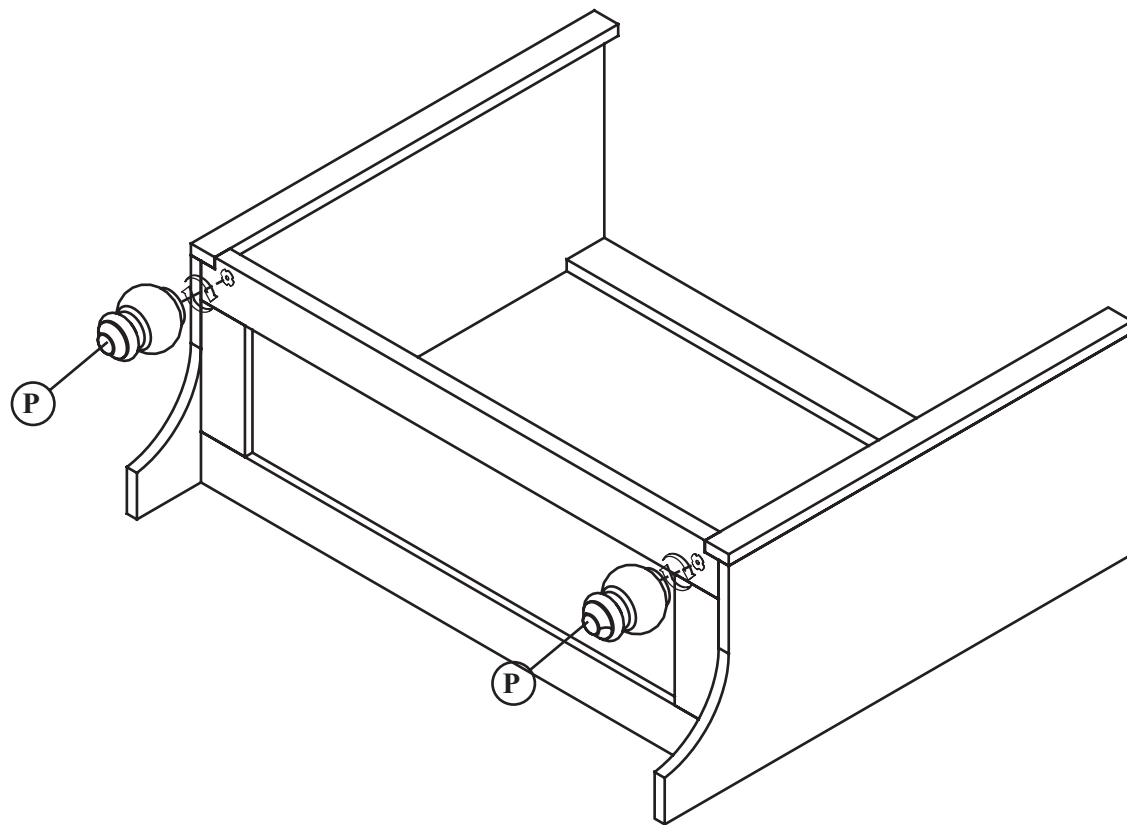


**4**  
(H2) x 5  
cam bolt



**step 3.**

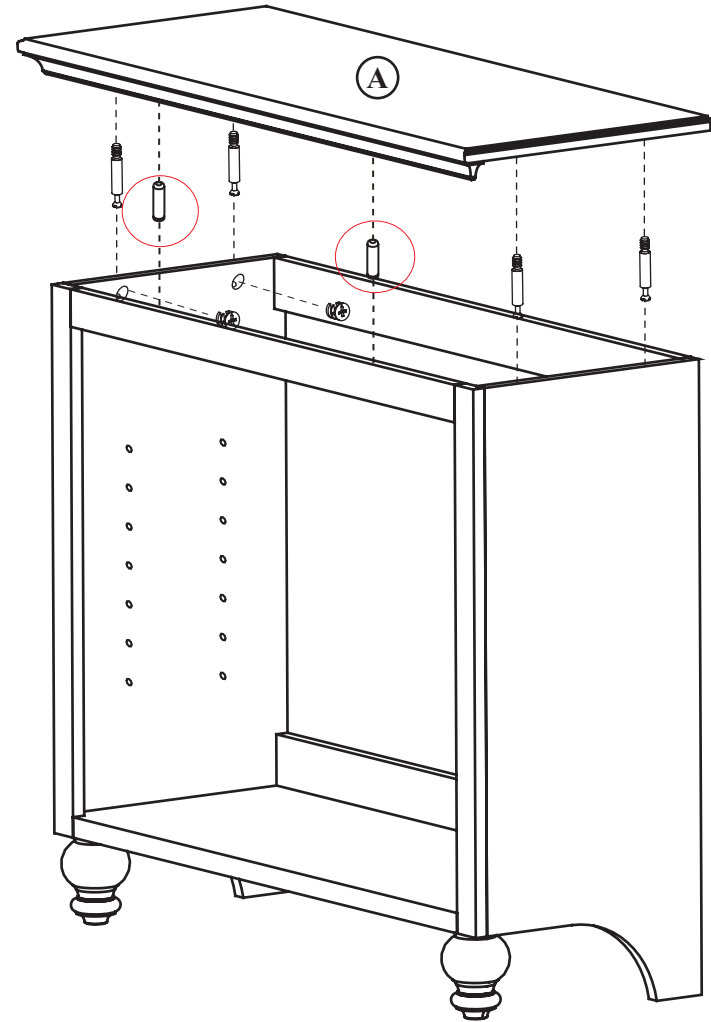
---



# step 4.

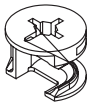
---

Case had all  
cam bolts,  
no dowels.



---

(H1) x 4  
cam



(H4) x 2  
wooden dowel

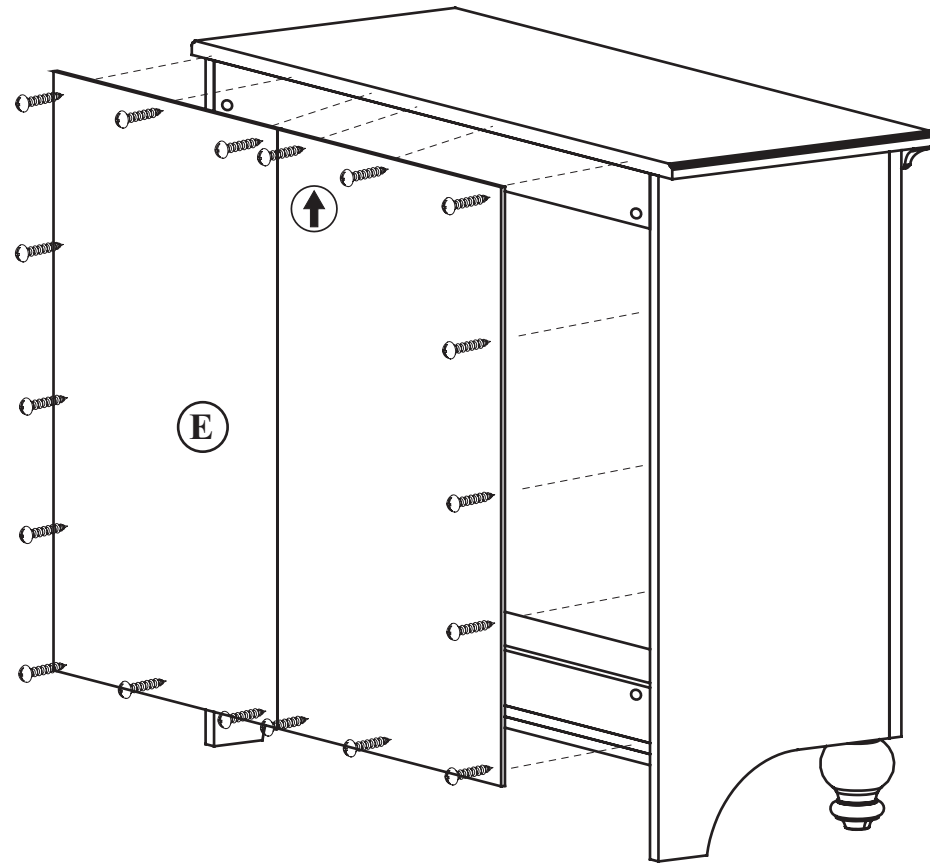


**6**  
(H2) x 4  
cam bolt



# step 5.

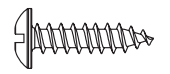
---



---

(H5) x 18

5/8" pan-head screw

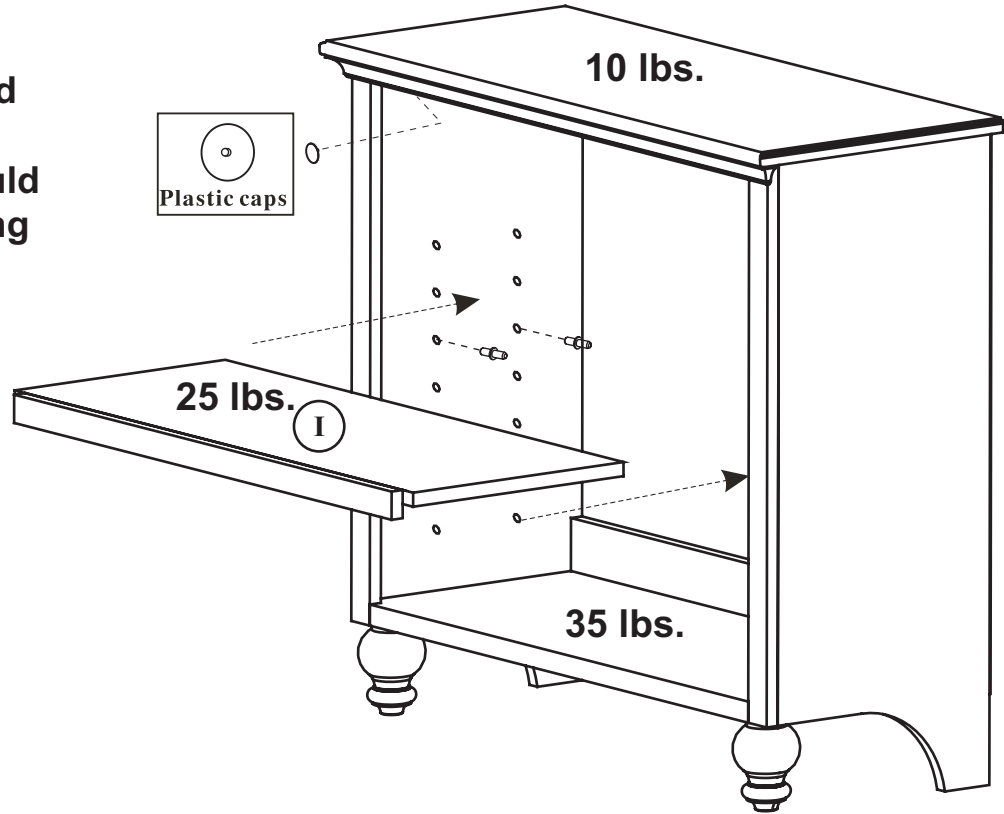


## step 6.

---

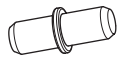
### IMPORTANT

Do not exceed the recommended weight limit on the designated panels. Exceeding this limit could cause sagging, possibly resulting in failure of the panel or bodily injury.



---

(H13)x 4  
shelf pin



(H3) x 14  
cam cover cap



