

231-455 Headboard

Creative Interiors

A DIVISION OF THOMASVILLE FURNITURE INDUSTRIES, INC

Assembly Instructions

It's easy!

Creative Interiors easy-to-assemble furniture is easy to put together. Just follow these instructions carefully, and you will have furniture that is both attractive and functional.

The Creative Interiors name is your assurance of quality. If you have any questions about your new furniture, just call 1 800 RTA-FURN (1 800 782-3876) between 8:00 a.m. - 9:00 p.m., Monday through Friday and 9:00 a.m. - 5:00 p.m., Saturday (Eastern Time). Holiday weekends will not be staffed.

Important: Have the style number and the 1" x 3-1/2" date-code sticker found on the side of the box handy when you call.

Here's how.

READ THE INSTRUCTIONS. Before you begin assembly, read the instructions carefully.

IDENTIFY THE PIECES AND HARDWARE. First, lay all the pieces out on the floor (preferably on carpet) and hardware. This will help you locate the right item just as you need it.

NOTE: ALL PARTS MAY NOT BE IDENTIFIED WITH LABELS.

Furniture Care

When removing part labels, gently rub a soft cloth moistened with a mild household cleanser (Windex or Pledge) over the part label. Pick a corner of the label and pull firmly -but smoothly until the label is removed.

Dust as needed with a clean, lint-free absorbent cloth. When cleaning is required, spray furniture polish may be used.

In active families, furniture occasionally receives scratches and nicks. These can be touched up with a furniture touch-up stick, shoe polish, or a crayon.

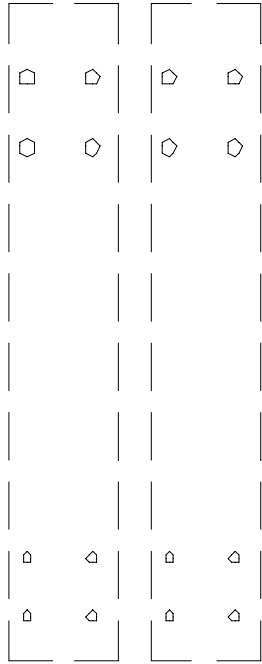


Tools

You will need a Phillips head and a regular flat-head screwdriver. We've included all the hardware.

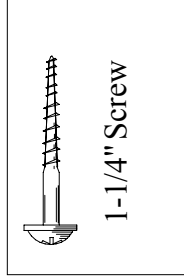
A

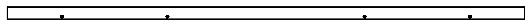
NOTE: The sketch shown may not represent the actual shape of your bed or posts.



POST ASSEMBLY INSTRUCTIONS

- 1 Remove post from package
- 2 Locate provided screws
3. Lay panel face down on a padded surface to prevent scratching
4. Align smaller bored holes in post with prebored holes in panel
5. Using provided screws, insert and tighten securely (CAREFUL NOT TO OVERTIGHTEN)





Cap Molding (1)
326501TF - 306401TF



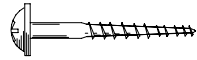
CS Cam Stud (4)
009611



CH Cam Housing (4)
009613



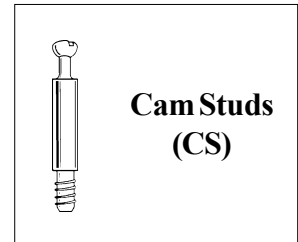
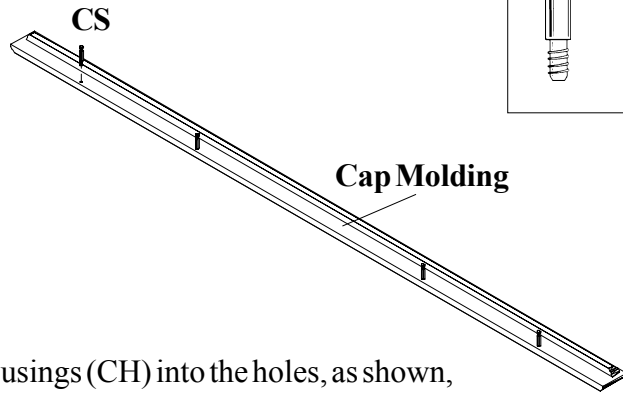
Touch-Up Pen (1)
80085010



1-1/4" Screw (8)
006874

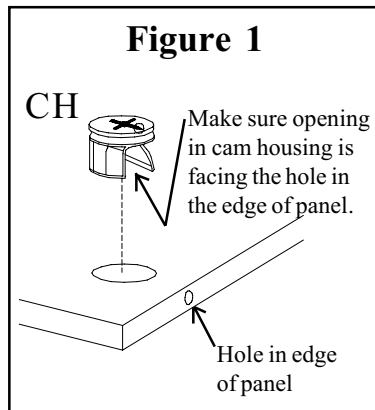
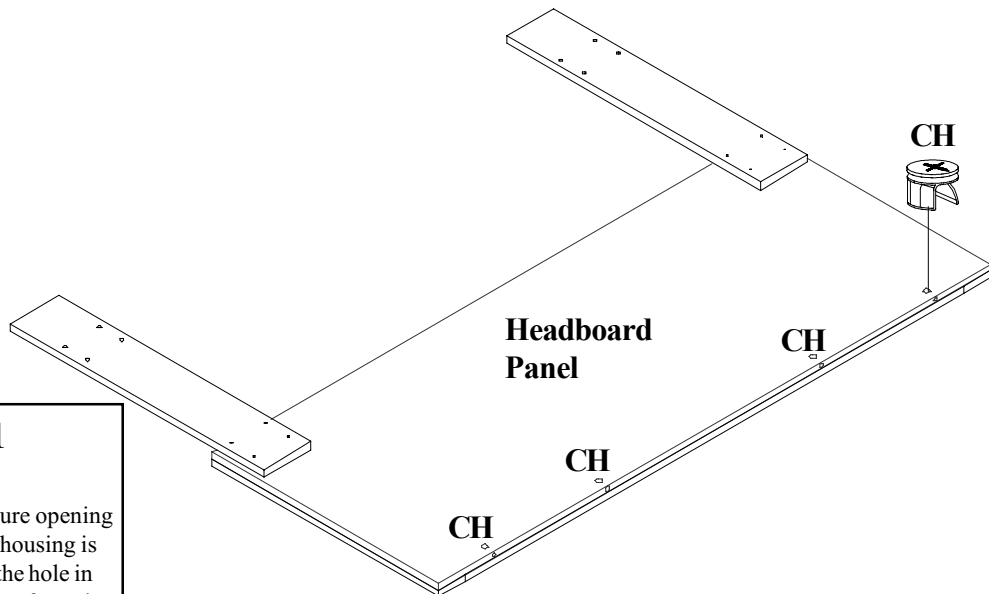
B

* Screw (4) cam studs (CS) into the holes, as shown, in cap molding.



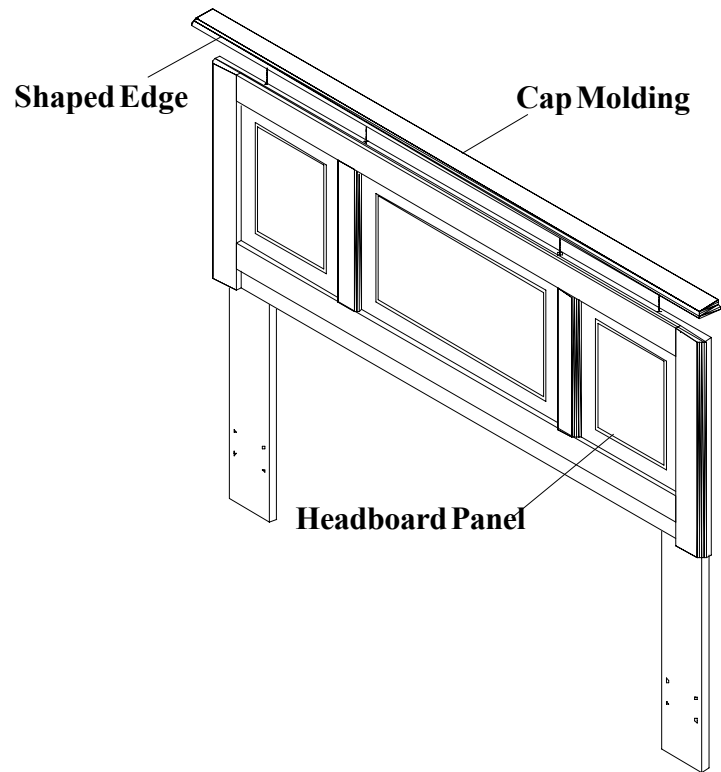
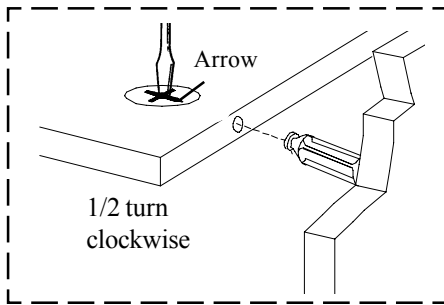
C

* **SEE FIGURE 1**...Insert (4) cam housings (CH) into the holes, as shown, in the headboard panel.



D

- * With a helper, attach cap molding to headboard panel.
- * Lock cam housings with a half turn clockwise of a standard flat-head screwdriver.



A **touch-up pen** has been provided for any touch up needed.

MRP # 80103242
0204